

YAMAHA T-N1555L

Natural Sound LW/AM/FM Stereo Tuner

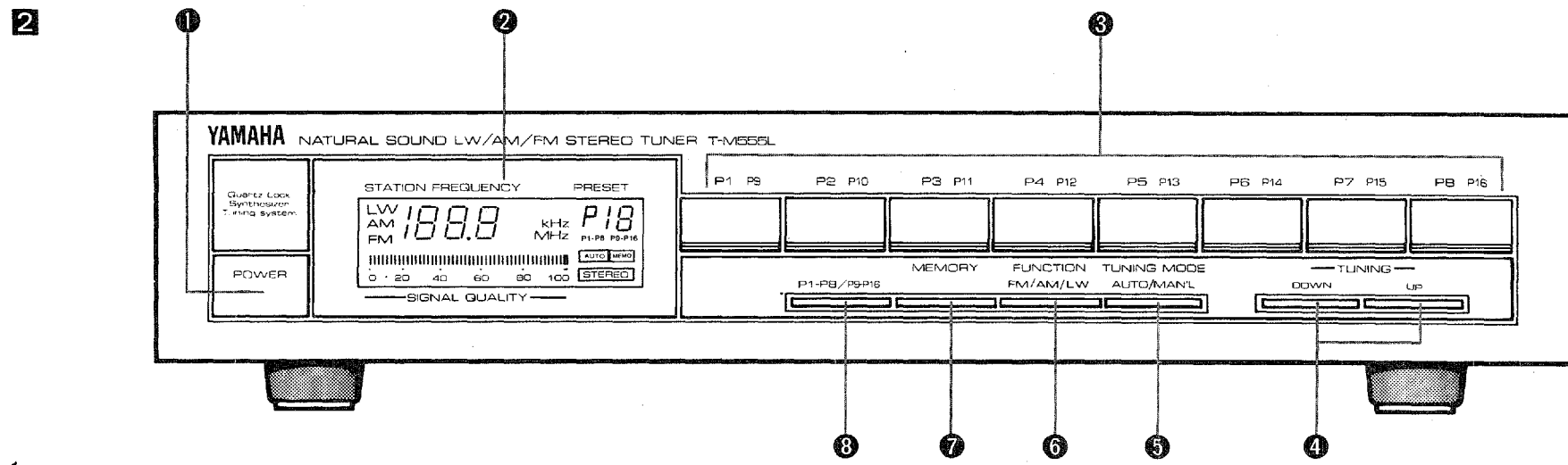
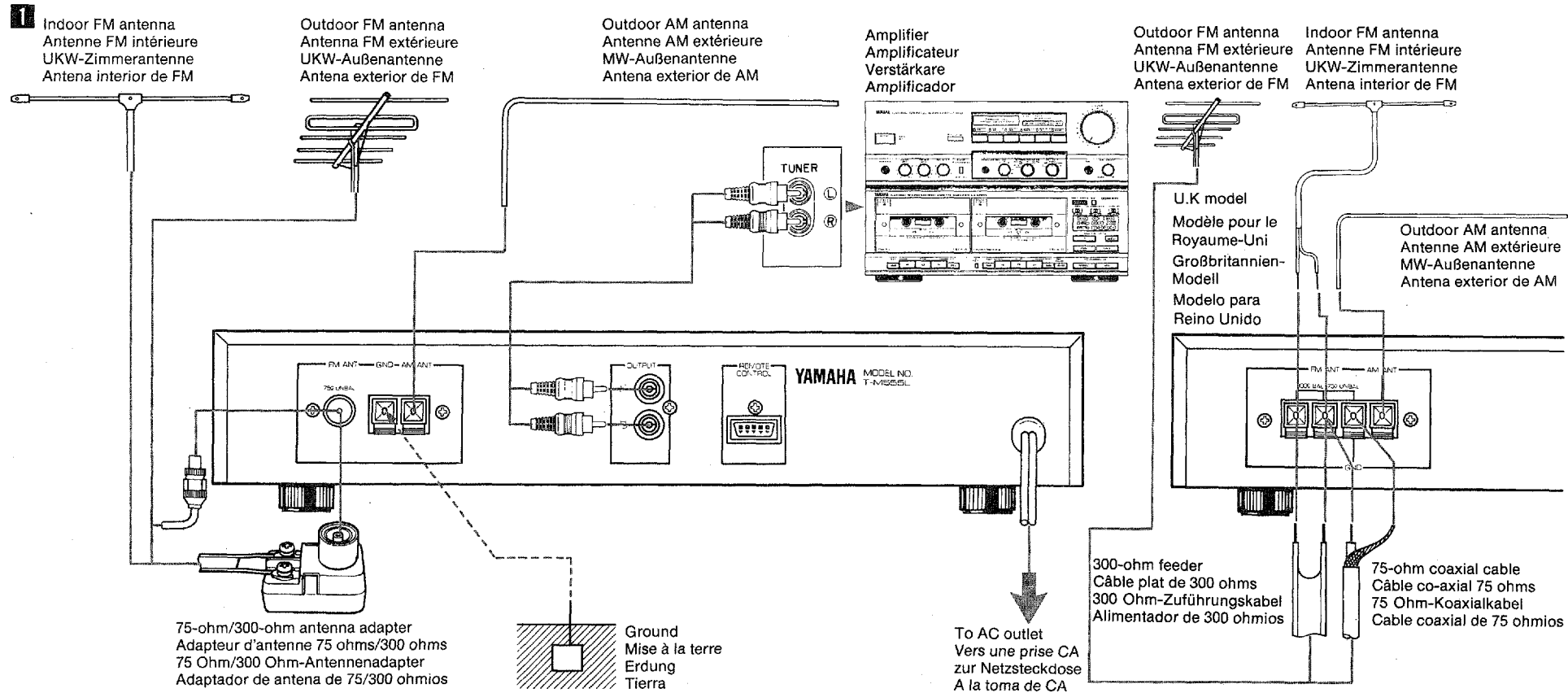
Syntoniseur GO/AM/FM stéréo de la série "Natural Sound"

"Natural Sound" LW/MW/UKW-Stereo-Tuner

Sintonizador estéreo de LW/AM/FM de sonido natural

CENTER

OWNER'S MANUAL
MODE D'EMPLOI
BEDIENUNGSANLEITUNG
MANUAL DE INSTRUCCIONES



• Thank you for purchasing the YAMAHA T-M555L LW/AM/FM stereo tuner.

CAUTION: READ THIS BEFORE OPERATING YOUR UNIT.

1. This unit is a sophisticated LW/AM/FM stereo tuner. To ensure proper operation for the best possible performance, please read this manual carefully.

2. Choose the installation of your unit carefully. Avoid placing it in direct sunlight or close to source of heat. Also avoid locations subject to vibration and excessive dust, heat, cold or moisture. Keep it away from such sources of hum as transformers or motors.

3. Do not open the cabinet as this may result in damage to the unit or electrical shock. If a foreign object should get into the unit, contact your local dealer.

4. To prevent lightning damage, pull out the power cord and remove the antenna cable in case of an electrical storm.

5. When removing the power plug from the wall outlet, always pull directly on the plug; never pull the cord itself.

6. Do not use force when operating switches and knob.

7. When moving the unit, be sure to first pull out the power plug and remove all cords connecting the unit to other equipment.

8. Do not attempt to clean this unit with chemical solvents as this may damage the finish. Use a clean, dry cloth.

9. Be sure to read the "Troubleshooting" section of this manual for advice on common operating errors before concluding that your unit is faulty.

10. Keep this manual in a safe place for future reference.

WARNING

TO PREVENT FIRE OR SHOCK HAZARD, DO NOT EXPOSE THIS APPLIANCE TO RAIN OR MOISTURE.

CAUTION (FOR CANADA MODEL):

TO PREVENT ELECTRIC SHOCK DO NOT USE THIS (POLARIZED) PLUG WITH AN EXTENSION CORD, RECEPTACLE OR OTHER OUTLET UNLESS THE BLADES CAN BE FULLY INSERTED TO PREVENT BLADE EXPOSURE.

SPECIAL INSTRUCTIONS FOR BRITISH MODEL

IMPORTANT:

The wires in the mains lead are coloured in accordance with the following code.

Blue: NEUTRAL

Brown: LIVE

As the colours of the wires in the mains lead of this apparatus may not correspond with the coloured markings identifying the terminals in your plug, proceed as follows. The wire which is coloured BLUE must be connected to the terminal which is marked with the letter N or coloured BLACK. The wire which is coloured BROWN must be connected to the terminal which is marked with the letter L or coloured RED.

CONNECTIONS (Fig. 2)

■ OUTPUT jacks

Connect the OUTPUT jacks to the tuner jacks of the amplifier or receiver, with correct right and left channel polarities.

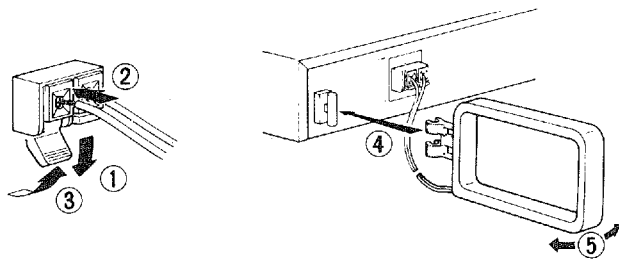
■ GND terminal

For maximum safety and minimum interference, connect the GND terminal to a good earth ground if practicable. A good earth ground is a metal stake driven into moist earth.

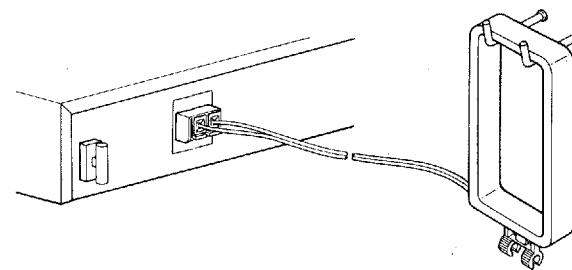
■ AM ANTENNAS

● AM loop antenna

Connect the AM loop antenna cords to the AM ANT and GND terminals.



- ① Lower the knobs of the terminals.
- ② Connect the loop antenna cords to the AM ANT and GND terminals.
- ③ Raise the knobs.
- ④ Attach the loop antenna holder to the unit.
- ⑤ Move the AM loop antenna for best reception. The AM loop antenna can be detached from the unit and hung on a wall.



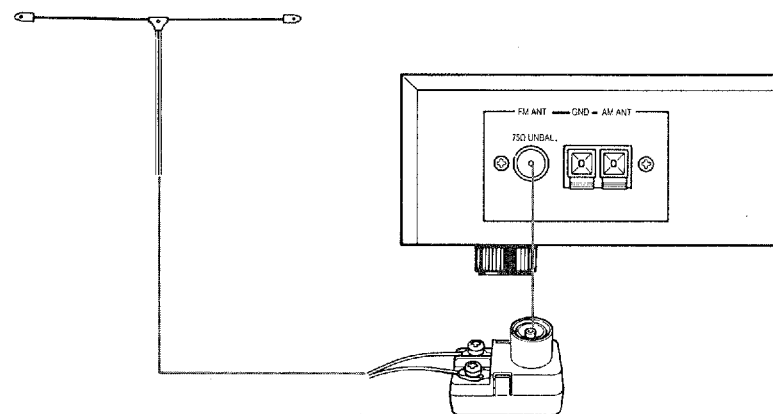
● Outdoor AM antenna

The end of the wire should be stripped of insulation and connected to the AM ANT terminal. At this time, keep the loop antenna connected.

■ FM ANTENNAS

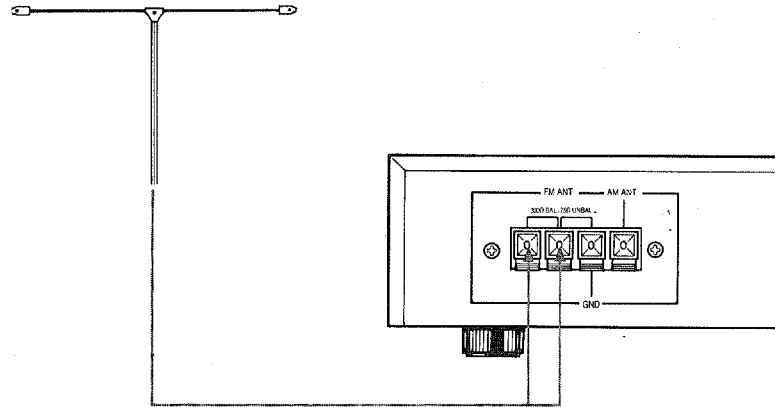
SUPPLIED INDOOR ANTENNA

Connect the supplied indoor antenna to the terminals on the supplied 75-ohm/300-ohm antenna adapter.



U.K. Model

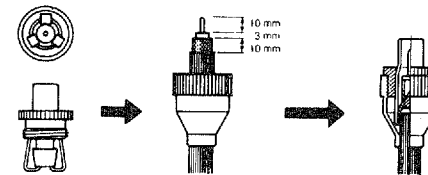
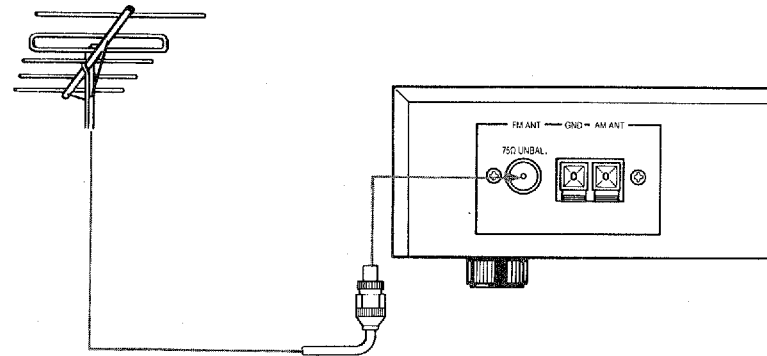
Connect the supplied indoor antenna as shown below. Spread and move the antenna for best reception.



OUTDOOR ANTENNA

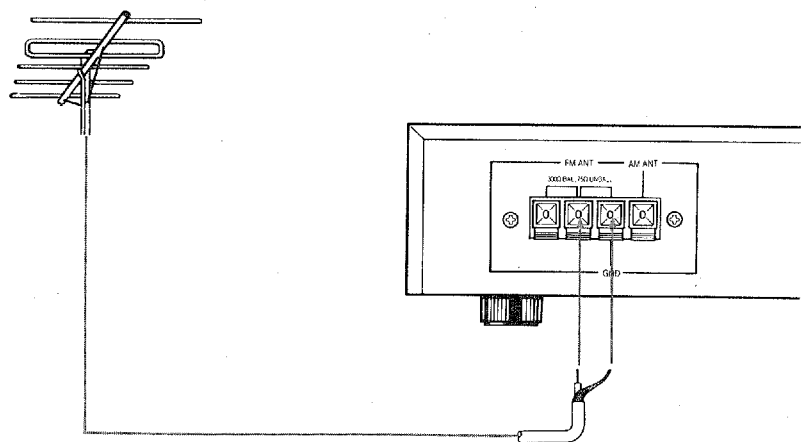
● 75-ohm coaxial cable connection

1. Arrange the end of the coaxial cable.
2. Connect the coaxial cable to the antenna connector as shown below. Connect the antenna connector to the 75Ω UNBAL. FM ANT terminal.



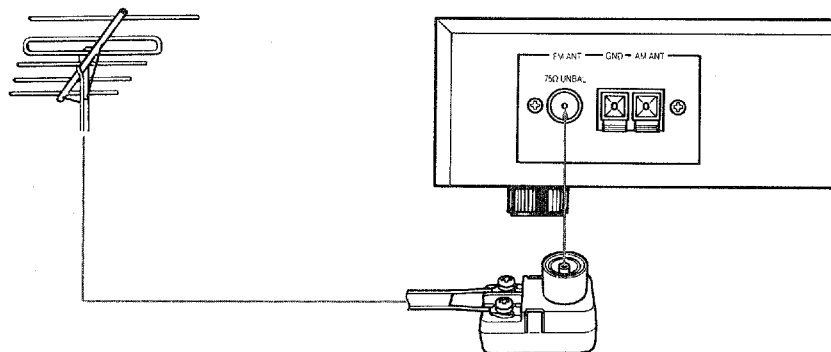
U.K. Model

1. Strip the end of the coaxial cable.
2. Connect the coaxial cable to the 75Ω UNBAL. FM ANT and GND terminals as shown below.



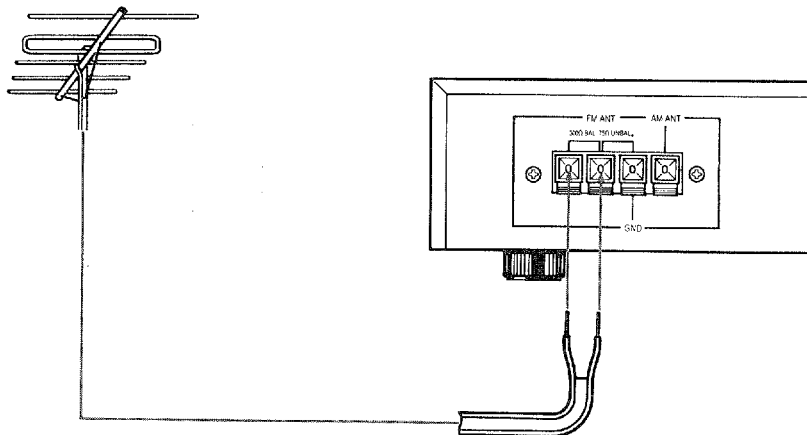
● **300-ohm feeder connection**

Connect the 300-ohm feeder to the terminals of the supplied 75-ohm/300-ohm antenna adapter, then insert into the 75Ω UNBAL. FM ANT terminal.



U.K. Model

Connect the 300-ohm feeder to the 300Ω BAL. FM ANT terminals.



■ **REMOTE CONTROL terminal**

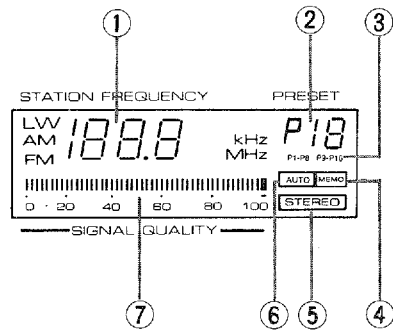
With the REMOTE CONTROL terminal on the rear of the unit, system remote control through the amplifier is possible. Connect the terminal to REMOTE CONTROL terminal of the amplifier with the flat cable supplied to the amplifier. For details of operation, refer to the Owner's Manual of the amplifier.

FRONT PANEL PARTS AND FUNCTIONS (Fig. 2)

❶ POWER switch

Press this switch to turn the power on. Press again to turn the power off.

❷ Display window



❶ STATION FREQUENCY display

Displays the band and frequency of the received frequency.

❷ PRESET station indicator

Indicates the preset station selected with preset station button.

❸ P1-P8/P9-P16 indicators

Indicates the range of the preset station buttons.

❹ MEMO indicator

Flickers for about 5 seconds when the MEMORY button is pressed.

❺ STEREO indicator

Lights when an FM stereo broadcasting with a sufficient signal strength is received with the TUNING MODE button set to AUTO.

❻ AUTO indicator

Lights when the TUNING MODE button is set to AUTO.

❼ SIGNAL QUALITY indicator

Indicates the level of the received frequency.

❸ Preset station buttons

Up to 16 station frequencies and reception modes can be stored using the preset station button.

❹ TUNING buttons

Press either of the TUNING buttons to carry out auto or manual tuning. To receive lower frequency, press the DOWN button. To receive higher frequency, press the UP button.

❺ TUNING MODE button

Used to select the tuning mode between AUTO and MAN'L.

❻ FUNCTION button

Press this button to select the reception band between FM, AM and LW.

❼ MEMORY button

When this button is pressed, the MEMO indicator flickers in the display for about 5 seconds. During this period, press the desired preset station button to store the displayed frequency.

❸ P1-P8/P9-P16 button

Press this button to change the range of the preset station buttons. When this button is pressed, the selected range of the P1-P8/P9-P16 indicators flickers for about 5 seconds.

■ AUTO TUNING

If signals are strong and there is no interference, quick automatic search tuning is possible.

1. Select the reception band with FUNCTION button
2. Press the TUNING MODE button so that the AUTO indicator lights up.
3. Use the TUNING button to tune.
The tuning will start automatically and stops at broadcast station frequency with a sufficient signal strength.
4. If the station where tuning stops is not the one you want, press the TUNING button once again.

■ MANUAL TUNING

Auto tuning may be impossible if the station signal is weak. If so, use manual tuning.

1. Select the reception band with FUNCTION button.
2. Press the TUNING MODE button so that the AUTO indicator goes off.
3. Use the TUNING button to tune.
The frequency will change rapidly if the TUNING button is kept pressed. Release it slightly before reaching the desired frequency, and then press it intermittently until the desired frequency is reached.

■ PRESET TUNING

The preset station button can be used to select, at a single touch, any desired station which has been preset.

1. Tune to the desired station using auto or manual tuning mode.
 2. Select the range of the preset station button with the P1-P8/P9-P16 button.
 3. Press the MEMORY button and then while the MEMO indicator is flickering, press the desired preset station button.
 4. To receive the preset station, select the range of the preset station with the P1-P8/P9-P16 button and press the desired preset station button.
- Follow the same procedure for other preset station buttons. The new setting will be programmed in place of the former one.

● Memory back-up

The memory back-up circuit will prevent the programmed information from being lost even though the power is switched OFF for timer use of other temporary power failure. If, however, the unit is not used for a long time, the memory may be erased. If so, it can be re-programmed by simply following the original procedure.

TROUBLESHOOTING

When your unit fails to function properly, before assuming it is faulty, check it according to the following troubleshooting list. It details the corrective action you can take yourself without having to call a service engineer. If you have any doubts or questions, get in touch with your nearest YAMAHA dealer.

SYMPTOM	CAUSE	REMEDY	
FM	Crackling sounds from time to time (especially in weak signal areas).	● Ignition noise from passing vehicles.	● The FM antenna should be put up as high as possible, away from the road, and a coaxial cable used.
		● Noise from thermostats or other electrical equipment	● Attach a noise suppressor to the equipment causing the noise
	FM stereo reception is noisy.	● Because of the characteristics of FM stereo broadcasts, this is limited to cases where the transmitter is far away or the antenna input is poor.	● Check the antenna connections. ● Try using a multiple element FM antenna. ● Set the TUNING MODE button to MAN'L mode.
	The STEREO indicator flickers and reception is noisy.	● Insufficient antenna input.	● Use an antenna appropriate for the reception condition in your area.
		● Not tuned correctly.	● Tune again.
	There is distortion and clear reception cannot be obtained even with a good FM antenna.	● There is multipath interference.	● Adjust antenna placement to eliminate multipath interference.
	No stereo effect even with a stereo broadcast.	● The TUNING MODE button is set to MAN'L.	● Set the button properly.
	A desired station cannot be tuned in with Auto tuning.	● The station is too weak.	● Use Manual tuning mode. ● Use high quality directional FM antenna.
Previously preset stations can no longer be tuned in.	● The tuner has been unplugged for a long period.	● Repeat the presetting procedure.	
AM	Insufficient sensitivity.	● Weak signal or loose antenna connections.	● Tighten the AM bar antenna connections and rotate it for best reception.
	A desired station cannot be tuned in with Auto tuning.		● Use Manual tuning mode.
	There are continuous crackling and hissing noises.	● These noises result from lightning, fluorescent lamps, motors, thermostats and other electrical equipment.	● Use an outdoor antenna and a ground wire. This will help some what but it is difficult to eliminate all noise.
	There are buzzing and whining noises (especially in the evening).	● Another station is interfering with the received station.	● This is impossible to remedy.
● A television set is being used nearby.		● Move the television away.	

SPECIFICATIONS

FM SECTION

Tuning Range	87.50 to 108.00 MHz
50 dB Quieting Sensitivity:	
Mono	1.6 μ V (15.3 dBf)
Stereo	21 μ V (37.7 dBf)
Usable Sensitivity (75 ohms):	
Mono (30 dB Quieting)	0.8 μ V (9.3 dBf)
Image Response Ratio (98 MHz)	40 dB
IF Response Ratio (98 MHz)	90 dB
Spurious Response Ratio (98 MHz)	70 dB
AM Suppression Ratio	55 dB
Capture Ratio	1.5 dB
Alternate Channel Selectivity	85 dB
Signal-to-Noise Ratio (at 85 dBf):	
Mono	82 dB
Stereo	76 dB
Distortion:	
Mono	1 kHz, 0.1%
Stereo	1 kHz, 0.2%
Stereo Separation	1 kHz, 40 dB
Frequency Response	30 Hz to 15 kHz: 0 \pm 0.5 dB

AM SECTION

Tuning Range	531 to 1,611 kHz
Usable Sensitivity	300 μ V/m
Selectivity	32 dB
Signal-to-Noise Ratio	50 dB
Image Response Ratio	40 dB
Spurious Response Ratio	50 dB
Distortion	0.3%

LW SECTION

Tuning Range	153 to 288 kHz
Usable Sensitivity	500 μ V/m
Selectivity	32 dB
Signal to Noise Ratio	50 dB
Image Response Ratio	30 dB
Spurious Response Ratio	45 dB
Harmonic Distortion (400 Hz)	0.3%

AUDIO SECTION

Output Level/Impedance:

FM (100% mod. 1 kHz)	500 mV/2 k-ohms (U.K. Model)
FM (40 kHz Dev. 1 kHz)	400 mV/2 k-ohms (Europe Model)
AM (30% mod. 400 Hz)	150 mV/2 k-ohms

GENERAL

Power Supply	European Model: 220V, 50 Hz British Model: 240V, 50 Hz
Power Consumption	7W
Dimensions (W x H x D)	340 x 68.5 x 298.5 mm (13-3/8" x 2-11/16" x 11-3/4")
Weight	2.5 kg (5 lbs 8 oz.)

YAMAHA
HAMAMATSU, JAPAN

991112

YAMAHA CORPORATION
VE62040-0 BWgV, BB Printed in Japan ©