

NS-E50 Natural Sound Effect Speaker System

PRECAUTIONS

This model is designed to be used as an effect speaker system.

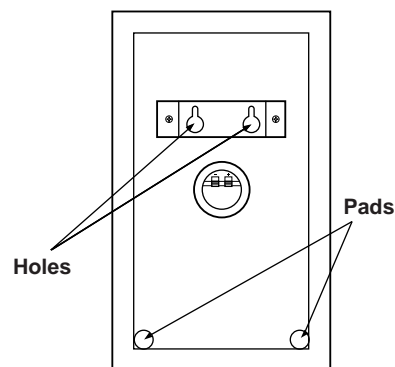
Read these precautions carefully before using your speaker.

- Any time you note distortion, reduce the volume control on your amplifier to a lower setting. Never allow your amplifier to be driven into "clipping". Otherwise the speaker may be damaged.
- When using an amplifier with a rated output power higher than the nominal input power of the speaker, care should be taken never to exceed the speaker's maximum input.
- Do not attempt to clean the speaker with chemical solvents as this might damage the finish. To clean, wipe with a dry, soft cloth.
- To prevent the enclosure from warping or discoloring, do not place the speaker where it will be exposed to direct sunlight or excessive humidity.
- Do not place the speaker where it is liable to be knocked over or struck by falling objects. Stable placement will also ensure better sound performance.
- Placing the speaker on the same shelf or rack as the turntable can result in feedback.
- As these speakers contain strong magnets, avoid placing watches, magnetic tapes, etc. near them. Also, placing the speakers near a TV set may impair picture color. If this happens, move the TV set away from the speakers.
- **Secure placement or installation is the owner's responsibility. YAMAHA shall not be liable for any accident caused by improper placement or installation of the speaker.**

SETTING UP THE SPEAKERS

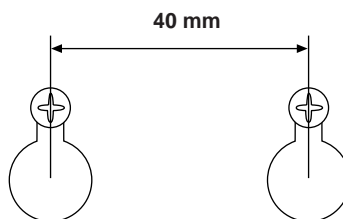
■ Mounting the speakers on a wall

The speakers can be mounted on a wall by using the holes provided on the speakers' back panels.

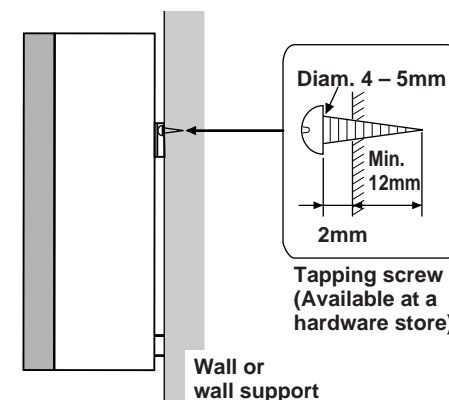


Make sure that the screws are caught by a narrow part of the holes securely.

Put the screws into a wall according to the figure shown below.



Fasten screws into a firm wall or wall support as shown in the diagram, and hang the holes on the protruding screws.



WARNING:

- * Each speaker weighs 1.7 kg (3 lbs. 12 oz.). Do not mount them on thin plywood or soft wall surface material, as the screws may come out of the flimsy surface, causing the speakers to fall down and be damaged, or result in personal injury.
- * Do not fasten the speakers to wall with nails, adhesives, or other unsound hardware. Long-term use and vibrations may cause them to fall down.
- * To avoid accidents resulting from tripping over loose speaker cables, fix them to the wall.

CONNECTION TO YOUR AMPLIFIER

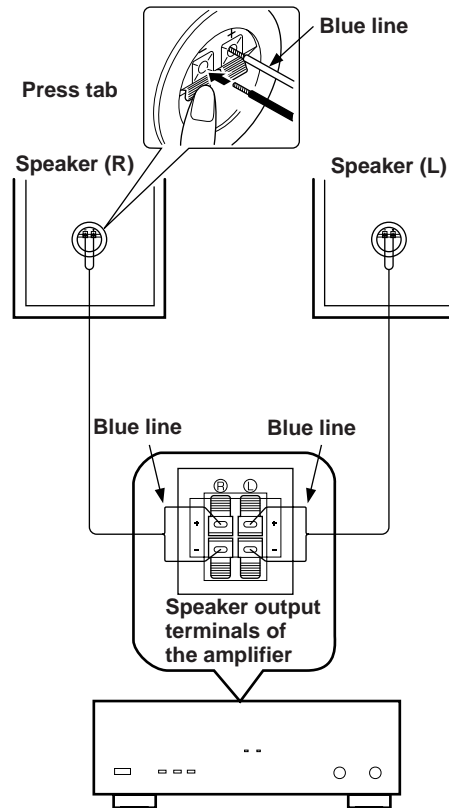
BEFORE MAKING CONNECTIONS, MAKE SURE THAT THE AMPLIFIER IS SWITCHED OFF.

■ CONNECTIONS

- Connect the push-type input terminals at the rear of the speakers to the speaker output terminals of your amplifier with the provided speaker cables.
- One side of the speaker cable is marked by a blue line. Connect the (+) terminals on both the amplifier and the speakers using this blue-marked side. Connect the (-) terminals on both components using the unmarked side of the cable.
- Connect one speaker to the left (marked L) terminals of your amplifier, and another speaker to the right (marked R) terminals, making sure not to reverse the polarity (+, -). If one speaker is connected with reversed polarity, the sound will be unnatural and lack bass.

Procedures:

- ① Press the tab on the terminal down, as shown in the figure.
- ② Insert the bare speaker wire end properly into the terminal hole. [Remove approx. 5 mm (1/4") insulation from the speaker cable.]
- ③ Remove your finger from the tab to allow it to lock snugly on the cable's wire end.
- ④ Test the security of the connection by tugging lightly on the cable at the terminal.



Note

Do not let the bare speaker wires touch each other as this could damage the speaker and/or the amplifier.

SPECIFICATIONS

Type.....Full range acoustic-suspension speaker system
Speaker Unit10 cm full range
Input TerminalPush-type
Nominal Impedance.....6 ohms
Frequency Response.....70 Hz – 20 kHz
Nominal Input Power.....25W
Music Input Power.....80W
Sensitivity90 dB/w/m
Dimensions (WxHxD)
.....170 mm x 280 mm x 107 mm
.....(6-11/16" x 11" x 4-3/16")
Weight.....1.7 kg (3 lbs. 12 oz.)
Accessories.....2 speaker cables (10m each)

- * Specifications subject to change without notice due to product improvements.
- * Care should be taken not to exceed the input power values noted above.