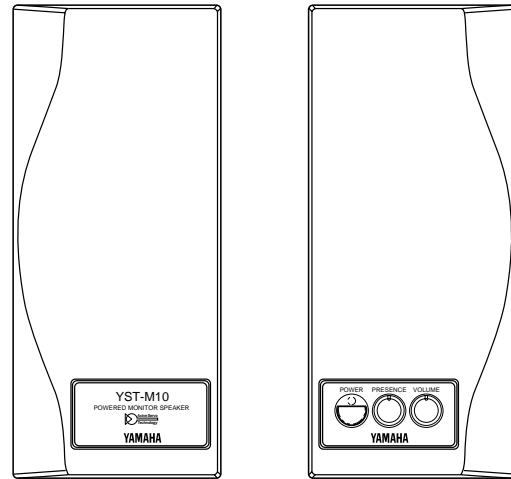


YAMAHA

POWERED MONITOR SPEAKERS

YST-M10

Owner's Manual Livret du propriétaire Bedienungsanleitung Bruksanvisning



English

Français

Deutsch

Svenska

For U.K. customers

If the socket outlets in the home are not suitable for the plug supplied with this appliance, it should be cut off and an appropriate 3 pin plug fitted. For details, refer to the instructions described below.

Note: The plug severed from the mains lead must be destroyed, as a plug with bared flexible cord is hazardous if engaged in a live socket outlet.

SPECIAL INSTRUCTIONS FOR U.K. MODEL

IMPORTANT: The wire in the mains lead are coloured in accordance with the following code:

Blue: NEUTRAL

Brown: LIVE

The colours of the wires in the mains lead of this apparatus may not correspond with the coloured markings identifying the terminals in your plug. Proceed as follows: the wire which is coloured BLUE must be connected to the terminal which is marked with the letter N or coloured BLACK. The wire which is coloured BROWN must be connected to the terminal which is marked with the letter L or coloured RED. Making sure that neither core is connected to the earth terminal of the three pin plug.

CAUTION (FOR CANADA MODEL): TO PREVENT ELECTRIC SHOCK, MATCH WIDE BLADE OF PLUG TO WIDE SLOT AND FULLY INSERT.

ATTENTION (POUR LE MODELE CANADIEN): POUR ÉVITER LES CHOCS ÉLECTRIQUES, INTRODUIRE LA LAME LA PLUS LARGE DE LA FICHE DANS LA BORNE CORRESPONDANTE DE LA PRISE ET POUSSER JUSQU'AU FOND.

Das Bundesamt für Post und Telekommunikation informiert

Sehr geehrter Rundfunkteilnehmer!

Dieser Rundfunkempfänger darf im Rahmen der gültigen "Allgemeingenehmigung für Ton- und Fernseh-Rundfunkempfänger"¹⁾ in der Bundesrepublik Deutschland betrieben werden. Beachten Sie bitte, daß danach mit dem Gerät nur die für die Allgemeinheit bestimmten Aussendungen empfangen werden dürfen. Der Empfang anderer Aussendungen (z.B. des Polizeifunks oder des Mobilfunks) ist nicht gestattet.

Dieses Gerät entspricht den zur Zeit geltenden europäischen Normen bzw. deutschen technischen Vorschriften und ist zum Nachweis dafür gekennzeichnet²⁾. Bitte überzeugen Sie sich selbst.

Die Kennzeichnung bietet Ihnen die Gewähr, daß die für das Gerät geltenden Spezifikationen der elektromagnetischen Verträglichkeit eingehalten werden. Das bedeutet, daß Störungen bei anderen Fernmeldeanlagen durch Ihr Gerät sowie störende Beeinflussungen Ihres Gerätes durch andere Fernmeldeanlagen weitgehend vermieden werden.

Sollten beim Betrieb Ihres Gerätes dennoch Störungen des Empfangs auftreten, so wenden Sie sich bitte an die örtlich zuständige Außenstelle des Bundesamtes für Post und Telekommunikation.

- 1) Veröffentlicht im Amtsblatt des Bundesministers für Post und Telekommunikation
- 2) Gültige Kennzeichnungen sind:
 - CE-Zeichen für Inverkehrbringen nach europäischen Normen
 - BZT-Zeichen mit Bundesadler und Konformitätseinhabernummer oder BMPT-Zeichen mit Amtsblattverfügungsnnummer für Inverkehrbringen nach deutschen Normen bzw. Vorschriften

YST-M10 Applications

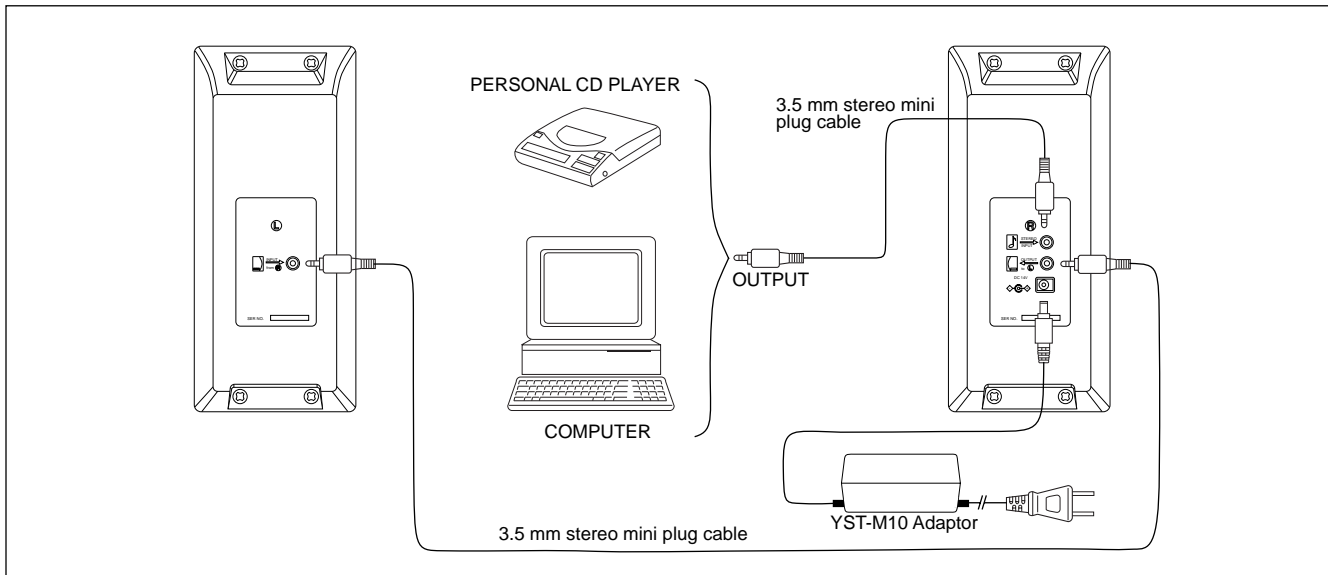
The following examples show some of the many applications in which the YST-M10s can be used. Power off the YST-M10s and disconnect the power supply adaptor from the AC receptacle before making any connections.

Les exemples qui suivent illustrent quelques uns des usages que l'on peut faire des YST-M10. Il faut d'abord mettre les YST-M10 hors tension et débrancher l'adaptateur du bloc d'alimentation de la prise secteur avant de procéder à tout branchement.

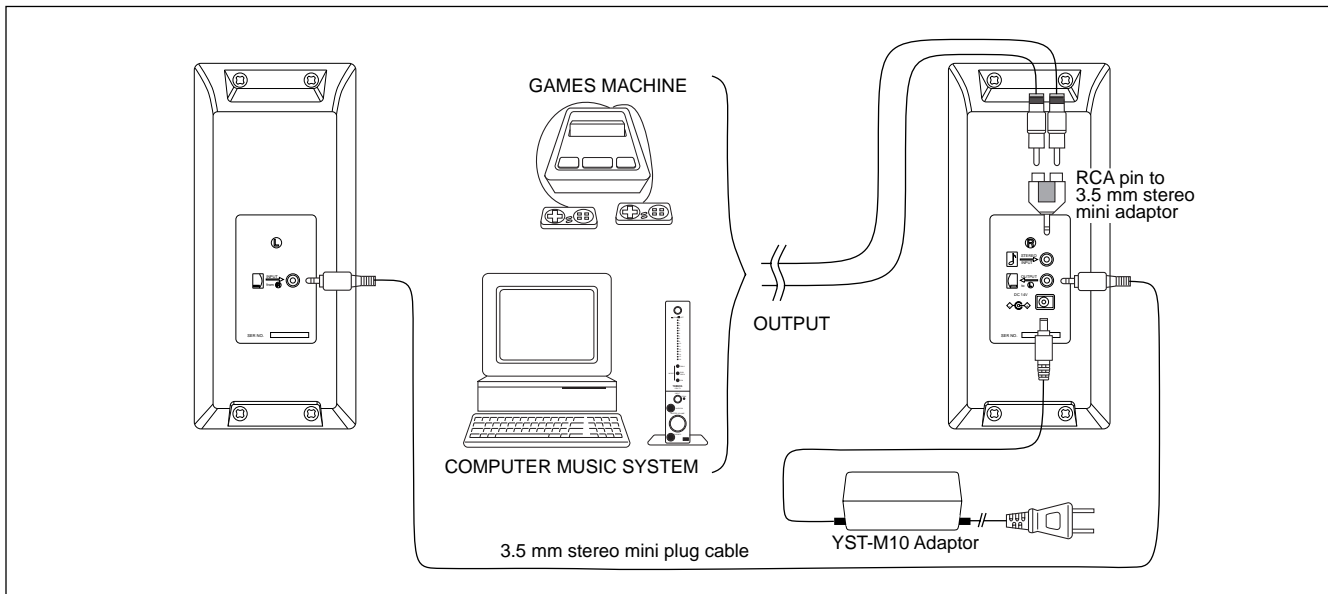
Nachstehend zeigen wir Ihnen ein paar Anlagen, in denen Sie die YST-M10 verwenden können. Schalten Sie die YST-M10 aus und ziehen Sie das Netzteil aus der Steckdose, bevor Sie die Anschlüsse vornehmen oder ändern.

De följande exemplen visar några av de sätt på vilka YST-M10 kan användas. Stäng av strömmen till YST-M10 och anslut strömuttagsadaptorn från vägguttaget innan du gör några andra anslutningar.

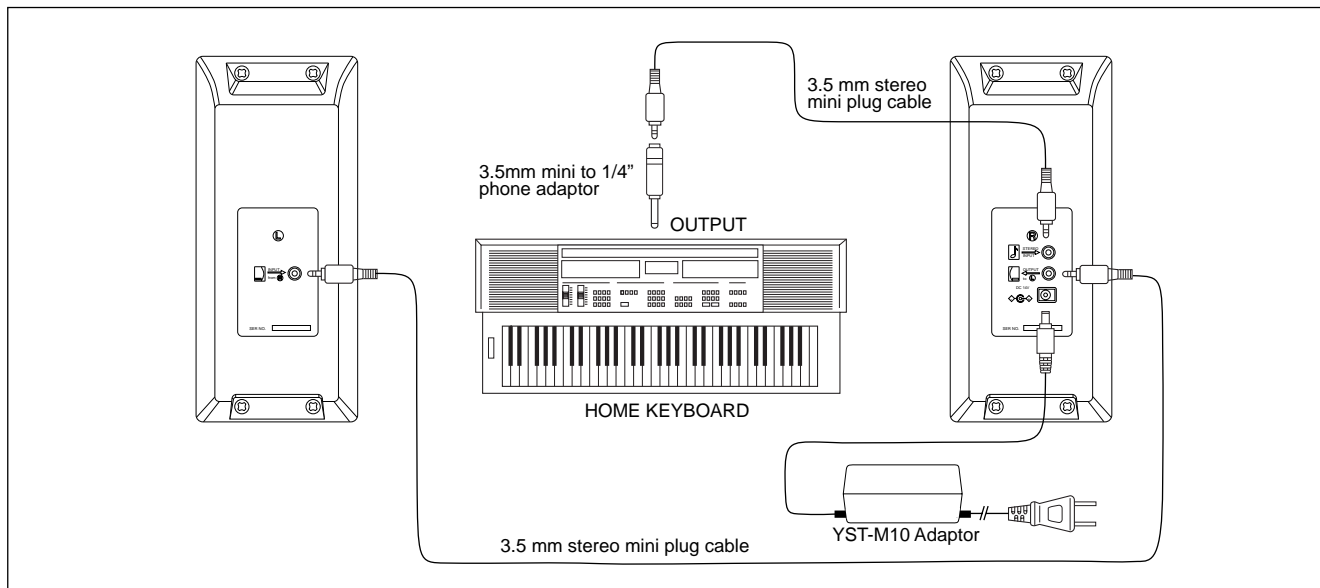
Personal Computer, Multimedia, Personal Stereo, Cassette, CD, or Mini Disc System



Computer Music System (Yamaha Hello Music) or Games Machine



Keyboard Monitor System



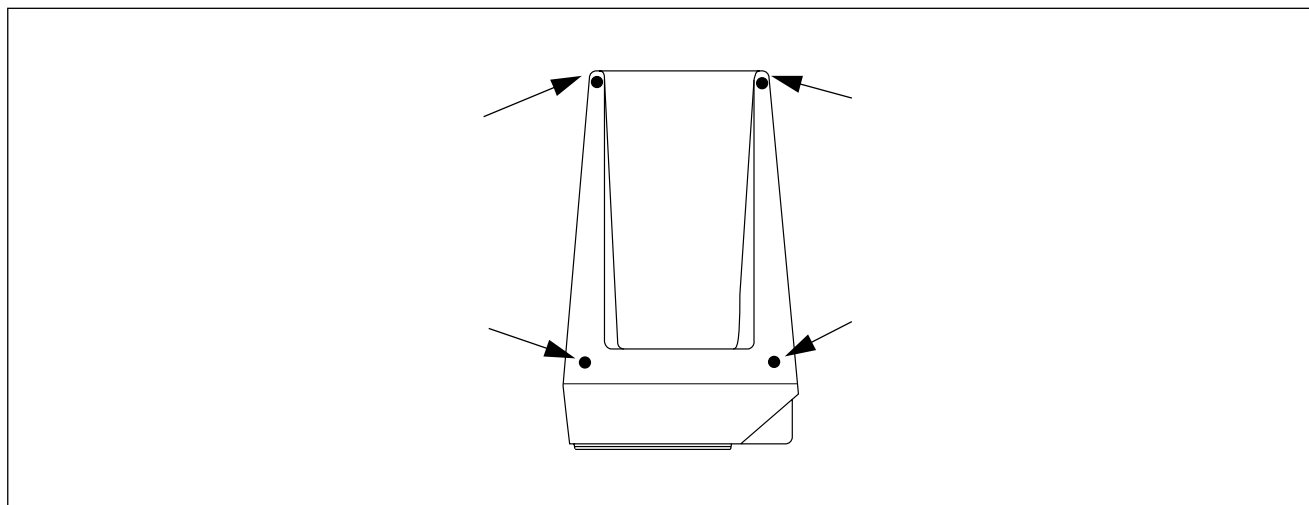
Cabinet Legs

The legs supplied with the YST-M10s should be stuck onto the bottom of each speaker cabinet as shown below. As well as preventing the YST-M10s from slipping around, these legs also isolate the cabinet from the mounting surface.

Les pattes fournies avec les YST-M10 devront être collées à la partie inférieure de chaque enceinte tel qu'illustré ci-dessous. En plus d'empêcher les YST-M10 de glisser, ces pattes isolent celles-ci de la surface sur laquelle elles reposent.

Die beiliegenden GummifüÙe müssen an den nachstehend gekennzeichneten Stellen angebracht werden. Tun Sie das bitte, damit die Boxen nicht verrutschen können und außerdem die Abstelloberfläche nicht berühren.

De ben som medföljer YST-M10 skall sätta i på högtalarlådornas undersida på det sätt som visas nedan. Dessa ben förhindrar att YST-M10 glider på golvet och dessutom isolerar de högtalarlådorna från den yta de placeras på.



Welcome to the YST-M10 Powered Monitor Speakers

Thank you for purchasing Yamaha's YST-M10 Powered Monitor Speakers.

YST-M10 powered monitor speakers use Yamaha's Active Servo technology to provide high-quality amplification and output from a compact cabinet. Both cabinets feature a 8 cm (3.5 inch) drive unit and bass port. The right-channel monitor speaker contains a stereo 10 watt per channel amplifier, with volume and presence controls. A single cable connects the left-channel monitor speaker.

YST-M10 powered monitor speakers are ideal for use with computer multimedia applications, personal stereo equipment, keyboard monitoring, and any other application that requires compact, portable high-quality monitoring. Thanks to the magnetic shielding around each drive unit, they can be sited close to computer monitors and other magnetically sensitive equipment.

Input connection is via a 3.5 mm stereo jack, and with the supplied 6.25 mm phone jack adaptor and phono/RCA adaptor, almost any audio source can be connected with ease.

To get the best performance from your YST-M10 monitor speakers, please read this Owner's Manual carefully. Then, store it in a safe place for future reference.

Active Servo Technology

Active Servo Technology is a system, pioneered by Yamaha, that allows small and medium size speaker cabinets to produce the type of bass performance usually only associated with large cabinets.

A precision port in the cabinet provides an outlet for bass frequencies. However, to overcome the natural air resistance inside the cabinet, which tends to reduce the volume level from a port, a negative-impedance amplifier is used. This provides a solid bass end and wide frequency response, while keeping distortion at a minimum.

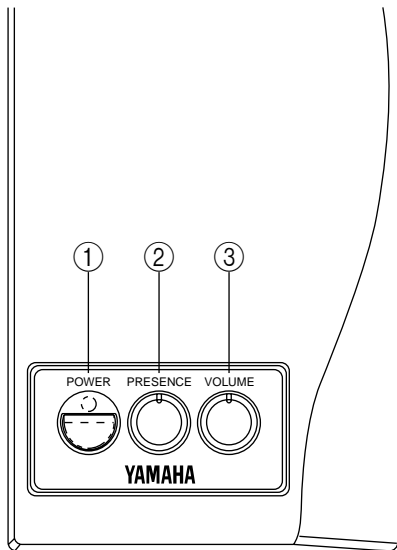
YST-M10 Operating Precautions

Please read the following operating precautions before operating your YST-M10s:

- Use the power supply adaptor designed specifically for the YST-M10 only. Yamaha cannot be held responsible for damage caused by using other power supply adaptors.
- When disconnecting the power supply adaptor from an AC receptacle, hold and pull the plug, not the power cord.
- If the YST-M10s are not going to be used for a while, disconnect the power supply adaptor from the AC receptacle.
- Always disconnect the power supply adaptor from the AC receptacle before making any connections.
- YST-M10s do not contain any user serviceable parts. Refer all servicing to your Yamaha dealer.
- Do not expose the YST-M10s to temperature extremes or direct sunlight.
- Do not expose the YST-M10s to excessive dust, humidity, or vibration.
- Site the YST-M10s on a level, stable surface.
- Do not drop the YST-M10s, apply excessive force to their controls, or put heavy items on top of them.
- If the YST-M10s should require cleaning, use a soft cloth. If necessary, a damp cloth.
- To protect the YST-M10 speakers, avoid microphone feedback, continuous and excessive output from electronic musical instruments, excessive signal distortion,
- If the YST-M10s are sited close to fluorescent or neon type lights, a slight hum may be heard. In this case, relocate the YST-M10s away from the light.
- Although the YST-M10 speakers are magnetically shielded, keep floppy disks and tapes away from them.
- The YST-M10s may cause picture distortion when sited close to a television or computer monitor. In this case, move them away a little.

Controls & Connections

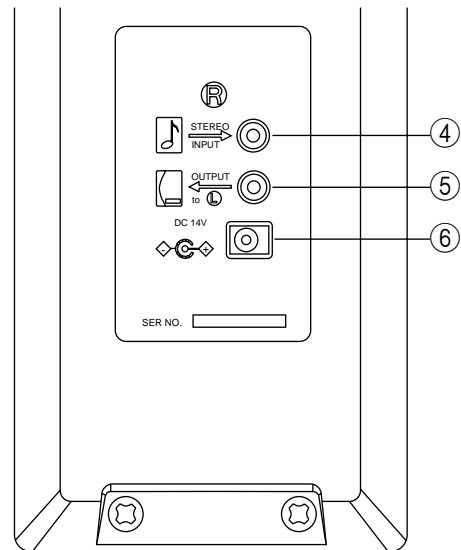
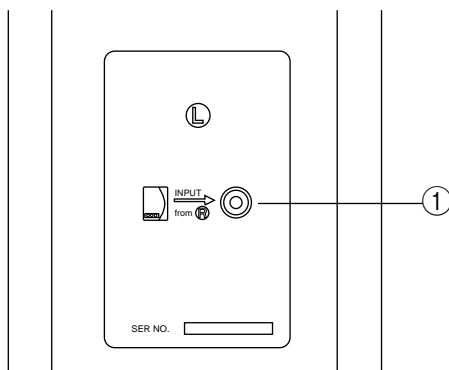
Right-Channel Cabinet



Front Panel

- ① **POWER switch**
Press to power on the YST-M10s; the power indicate will light up. Press again to power off.
Before powering on and off, turn down the VOLUME control.
- ② **PRESENCE control**
This control allows frequency boost and cut of up to ± 7 dB at 10 kHz. This tends to emphasize vocals, providing a warmer intimate sound. Turn it clockwise to boost, and counterclockwise to cut.
- ③ **VOLUME control**
Use this control to set the volume level. Turn it clockwise to increase the volume, and counterclockwise to reduce it.

Left-Channel Cabinet



Rear Panel

- ④ **STEREO INPUT**
This is a 3.5 mm jack connection for inputting signals to the YST-M10s. If the equipment that you are using has 6.25 mm phone jacks, or phono/RCA type connections, use the appropriate supplied adaptor.
- ⑤ **OUTPUT**
This should be connected to the INPUT connection on the left-channel cabinet using the supplied 3.5 mm stereo jack to jack cable. Do not connect anything else to this connection.
- ⑥ **DC 14V connection**
Connect the supplied power supply adaptor to this connection.

Rear Panel

- ① **INPUT**
This should be connected to the OUTPUT connection on the right-channel cabinet using the supplied 3.5 mm stereo jack to jack cable. Do not connect anything else to this connection.

Items Supplied

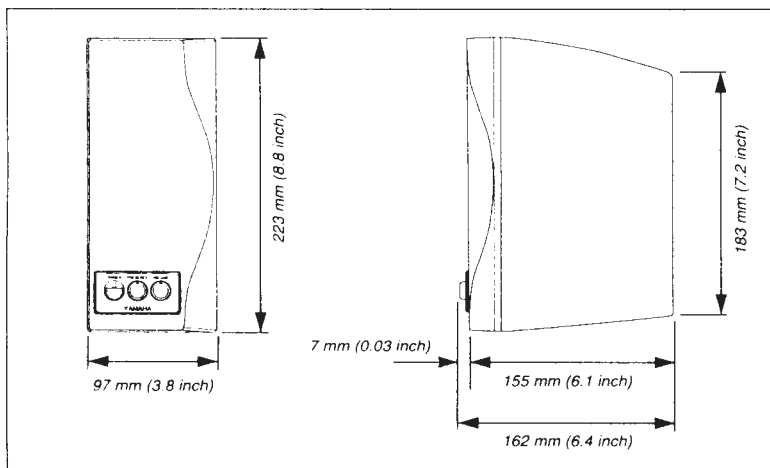
	2	YST-M10 Speakers
	1	Power Supply Adaptor
	2	3.5 mm stereo mini plug cables
	1	RCA pin to 3.5 mm stereo mini adaptor
	1	3.5 mm stereo mini to 1/4 inch stereo phone adaptor
	8	Legs

Specifications

	Type	Active Servo Technology
	Output Power	10 W per channel
	Drive Unit	Full-range 8 cm (3.5 inch) magnetically shielded
	Frequency Response	80 Hz ~ 20 kHz \pm 3 dB
	Input Sensitivity	100 mV at 10 W
	Input Impedance	25 k Ω
Power Requirements	U.S. & Canadian Model	120V AC, 60 Hz
	European Model	230V AC, 50 Hz
	Dimensions (W x H x D)	97 x 223 x 162 mm (3-13/16 x 8-3/4 x 6-3/8 inch)
Weight	Right Cabinet	1 kg (2.2 lbs)
	Left Cabinet	0.9 kg (2 lbs)
Finish	YST-M10(H)	Light gray
	YST-M10(B)	Black

Specifications and appearance subject to change without notice.

Dimensions



YAMAHA CORPORATION
P.O. Box 1, Hamamatsu, Japan