



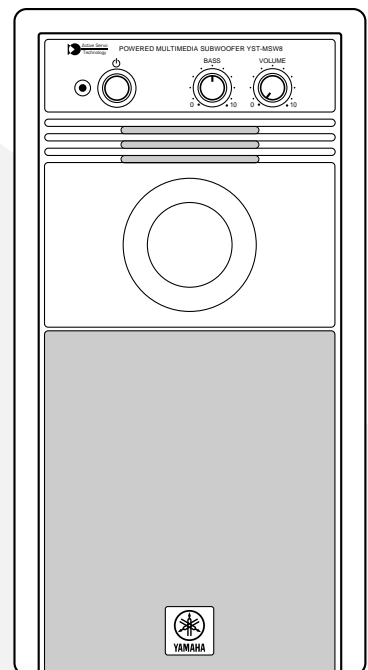
POWERED MULTIMEDIA SUBWOOFER

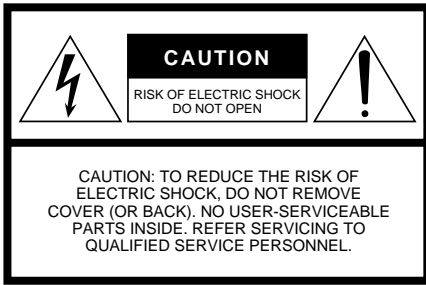
YST-MSW8



OWNER'S MANUAL / MODE D'EMPLOI

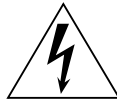
English	1
Français	5





WARNING
TO REDUCE THE RISK OF FIRE OR ELECTRIC SHOCK, DO NOT EXPOSE THIS UNIT TO RAIN OR MOISTURE.

• Explanation of Graphical Symbols



The lightning flash with arrowhead symbol, within an equilateral triangle, is intended to alert you to the presence of uninsulated "dangerous voltage" within the product's enclosure that may be of sufficient magnitude to constitute a risk of electric shock to persons.



The exclamation point within an equilateral triangle is intended to alert you to the presence of important operating and maintenance (servicing) instructions in the literature accompanying the appliance.


IMPORTANT!

Please record the serial number of this unit in the space below.

Model:
Serial No.:

The serial number is located on the rear of the unit. Retain this Owner's Manual in a safe place for future reference.

SAFETY INSTRUCTIONS

- 1 Read Instructions — All the safety and operating instructions should be read before the unit is operated.
- 2 Retain Instructions — The safety and operating instructions should be retained for future reference.
- 3 Heed Warnings — All warnings on the unit and in the operating instructions should be adhered to.
- 4 Follow Instructions — All operating and other instructions should be followed.
- 5 Water and Moisture — The unit should not be used near water – for example, near a bathtub, wash-bowl, kitchen sink, laundry tub, in a wet basement, or near a swimming pool, etc.
- 6 Carts and Stands — The unit should be used only with a cart or stand that is recommended by the manufacturer.
- 6A An unit and cart combination should be moved with care. Quick stops, excessive force, and uneven surfaces may cause the unit and cart combination to overturn. 
- 7 Wall or Ceiling Mounting — The unit should be mounted to a wall or ceiling only as recommended by the manufacturer.
- 8 Ventilation — The unit should be situated so that its location or position does not interfere with its proper ventilation. For example, the unit should not be situated on a bed, sofa, rug, or similar surface, that may block the ventilation openings; or placed in a built-in installation, such as a bookcase or cabinet that may impede the flow of air through the ventilation openings.
- 9 Heat — The unit should be situated away from heat sources such as radiators, stoves, or other appliances that produce heat.
- 10 Power Sources — The unit should be connected to a power supply only of the type described in the operating instructions or as marked on the unit.
- 11 Power-Cord Protection — Power-supply cords should be routed so that they are not likely to be walked on or pinched by items placed upon or against them, paying particular attention to cords at plugs, convenience receptacles, and the point where they exit from the unit.
- 12 Cleaning — The unit should be cleaned only as recommended by the manufacturer.
- 13 Nonuse Periods — The power cord of the unit should be unplugged from the outlet when left unused for a long period of time.
- 14 Object and Liquid Entry — Care should be taken so that objects do not fall into and liquids are not spilled into the inside of unit.
- 15 Damage Requiring Service — The unit should be serviced by qualified service personnel when:
 - A. The power-supply cord or the plug has been damaged; or
 - B. Objects have fallen, or liquid has been spilled into the unit; or
 - C. The unit has been exposed to rain; or
 - D. The unit does not appear to operate normally or exhibits a marked change in performance; or
 - E. The unit has been dropped, or the enclosure damaged.
- 16 Servicing — The user should not attempt service the unit beyond those means described in the operating instructions. All other servicing should be referred to qualified service personnel.
- 17 Power Lines — An outdoor antenna should be located away from power lines.

- 18** Grounding or Polarization — Precautions should be taken so that the grounding or polarization is not defeated.

FCC INFORMATION (for US customers only)

- 1. IMPORTANT NOTICE: DO NOT MODIFY THIS UNIT!** This product, when installed as indicated in the instructions contained in this manual, meets FCC requirements. Modifications not expressly approved by Yamaha may void your authority, granted by the FCC, to use the product.
- 2. IMPORTANT:** When connecting this product to accessories and/or another product use only high quality shielded cables. Cable/s supplied with this product **MUST** be used. Follow all installation instructions. Failure to follow instructions could void your FCC authorization to use this product in the USA.
- 3. NOTE:** This product has been tested and found to comply with the requirements listed in FCC Regulations, Part 15 for Class "B" digital devices. Compliance with these requirements provides a reasonable level of assurance that your use of this product in a residential environment will not result in harmful interference with other electronic devices.

This equipment generates/uses radio frequencies and, if not installed and used according to the instructions found in the users manual, may cause interference harmful to the operation of other electronic devices.

Compliance with FCC regulations does not guarantee that interference will not occur in all installations. If this product is found to be the source of interference, which can be determined by turning the unit "OFF" and "ON", please try to eliminate the problem by using one of the following measures:

Relocate either this product or the device that is being affected by the interference.

Utilize power outlets that are on different branch (circuit breaker or fuse) circuits or install AC line filter/s.

In the case of radio or TV interference, relocate/reorient the antenna. If the antenna lead-in is 300 ohm ribbon lead, change the lead-in to coaxial type cable.

If these corrective measures do not produce satisfactory results, please contact the local retailer authorized to distribute this type of product. If you can not locate the appropriate retailer, please contact Yamaha Corporation of America, 6600 Orangethorpe Ave, Buena Park, CA 90620

The above statement apply **ONLY** to those products distributed by Yamaha Corporation of America or its subsidiaries.

FOR CANADIAN CUSTOMERS

TO PREVENT ELECTRIC SHOCK, MATCH WIDE BLADE OF PLUG TO WIDE SLOT AND FULLY INSERT.

THIS CLASS B DIGITAL APPARATUS COMPLIES WITH CANADIAN ICES-003.

POUR LES CONSOMMATEURS CANADIENS

POUR ÉVITER LES CHOCs ÉLECTRIQUES, INTRODUIRE LA LAME LA PLUS LARGE DE LA FICHE DANS LA BORNE CORRESPONDANTE DE LA PRISE ET POUSSER JUSQU'AU FOND.

CET APPAREIL NUMÉRIQUE DE LA CLASSE B EST CONFORME À LA NORME NMB-003 DU CANADA.

We Want You Listening For A Lifetime

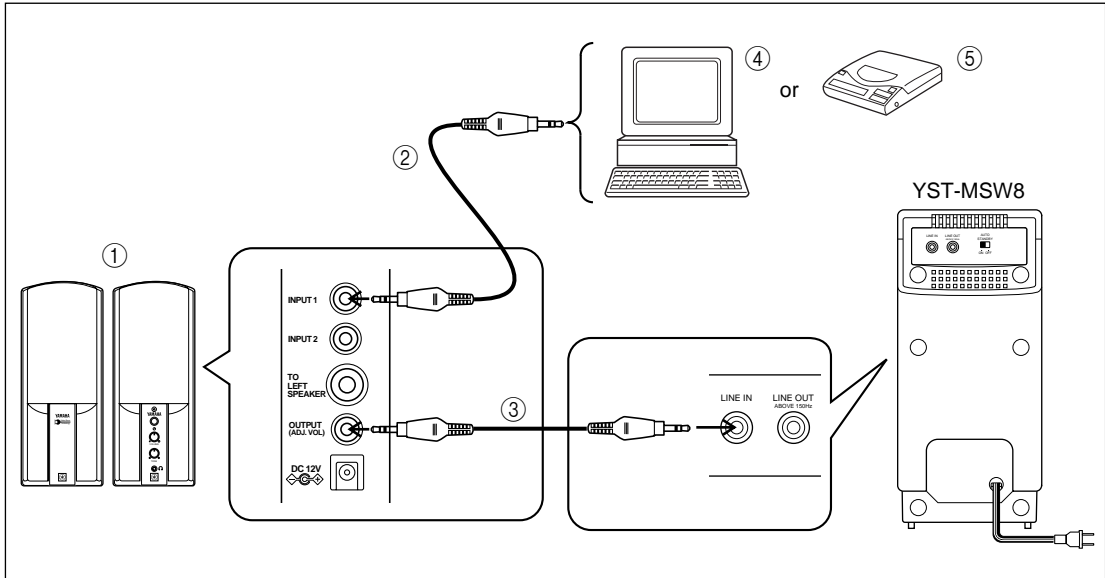
YAMAHA and the Electronic Industries Association's Consumer Electronics Group want you to get the most out of your equipment by playing it at a safe level. One that lets the sound come through loud and clear without annoying blaring or distortion – and, most importantly, without affecting your sensitive hearing.

Since hearing damage from loud sounds is often undetectable until it is too late, YAMAHA and the Electronic Industries Association's Consumer Electronics Group recommend you to avoid prolonged exposure from excessive volume levels.

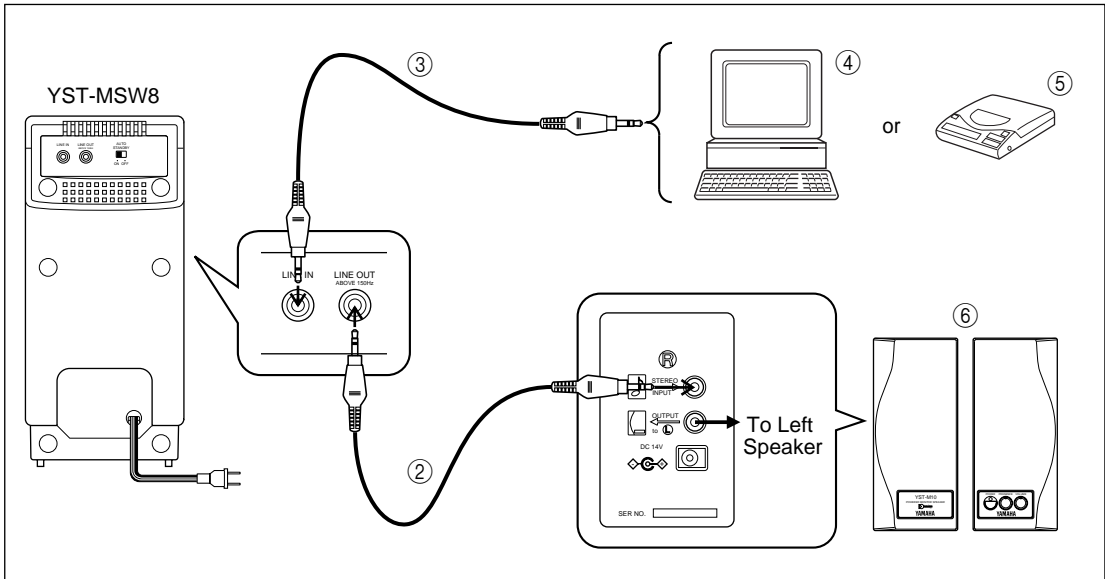


System Example / Exemple de connexion

Example 1



Example 2



English

- ① Powered Main Speakers with Connector for Subwoofer
- ② 3.5 mm stereo mini-plug cable (not include)
- ③ 3.5 mm stereo mini-plug cable (Accessories)
- ④ Personal computer
- ⑤ Portable CD player
- ⑥ Powered Main Speakers

Français

- ① Enceintes actives principales avec borne pour subwoofer
- ② Câble avec fiches mini-jack stéréo 3,5 mm (Pas fourni)
- ③ Câble avec fiches mini-jack stéréo 3,5 mm (Accessoires)
- ④ Ordinateur individuel
- ⑤ Lecteur de CD portatif
- ⑥ Enceintes actives principales

Thank you for purchasing Yamaha's YST-MSW8 Powered Multimedia Subwoofer. Yamaha's Active Servo Technology offers exceptionally high performance.

Cautions

Please read the following operating precautions before use:

- When disconnecting the AC power cord from an AC receptacle, hold and pull the plug, not the power cord.
- If the YST-MSW8 is not going to be used for a while, disconnect the AC power cord from the AC receptacle.
- Always disconnect the AC power cord from the AC receptacle before making any connections.
- The YST-MSW8 does not contain any user serviceable parts. Refer all servicing to your Yamaha dealer.
- **Never open the cabinet.** If a foreign object drops into the set, contact your dealer, and do not use the YST-MSW8. Otherwise, you may cause a fire.
- Do not expose the YST-MSW8 to temperature extremes, direct sunlight, excessive dust, humidity, or vibration.
- Position the YST-MSW8 on a level, stable surface. Do not drop the YST-MSW8, apply excessive force to their controls, or put heavy items on top of them.
- Since this unit has a built-in power amplifier, heat will radiate from the rear panel. Therefore, place the unit apart from the walls, allowing a space of at least 10 cm (3-15/16") above, behind and on the both sides of the unit. Also, do not position with the rear panel facing down on the floor or other surface.
- Do not obstruct the port with your hand or a foreign object.
- To protect the YST-MSW8 speaker, avoid microphone feedback, continuous and excessive output from electronic musical instruments, and excessive signal distortion.
- If the YST-MSW8 is located close to fluorescent or neon lights, a slight hum may be heard. In this case, relocate the YST-MSW8 away from the light.
- Although the YST-MSW8 speaker is magnetically shielded, keep floppy disks and tapes away from them.
- The YST-MSW8 may cause picture distortion when located close to a television or computer monitor. In this case, move them away a short distance.
- Avoid sources of hum (transformers, motors). To prevent fire or electrical shock, do not expose to rain and water.
- Do not use force on switches, knobs or cords. When moving the YST-MSW8, first turn the YST-MSW8 off.
- Always turn the volume control counterclockwise before starting to play the audio source: increase the volume gradually to an appropriate level after the playback has started.

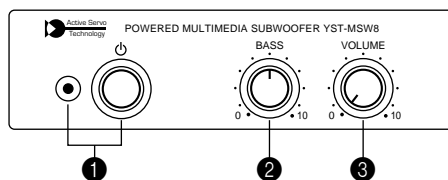
This unit is not disconnected from the AC power source as long as it is connected to the wall outlet, even if this unit itself is turned off. This state is called the standby mode. In this state, this unit is designed to consume a very small quantity of power.

Connections & Controls

Front Panel

Refer to the illustrations on page 1.

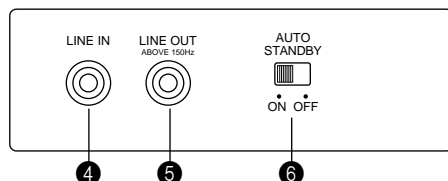
- ➊ **⏻ (power) switch and indicator:** Press the ⏻ (power) switch to turn on the YST-MSW8; the power indicator lights up. Press again to turn off. Turn down the BASS and VOLUME controls before turning on and off the YST-MSW8.
- ➋ **BASS control:** Use this control to adjust the volume of the YST-MSW8. Turn it clockwise to increase the volume; counterclockwise to decrease it.
- ➌ **VOLUME control:** Use this control to adjust the volume of the YST-MSW8 and other equipment connected to the rear panel LINE OUT jack.



Rear Panel

- ➍ **LINE IN:** This 3.5 mm jack is used to input signals to the YST-MSW8.
- ➎ **LINE OUT:** This jack is used to output the LINE IN signal to the main speakers. The low frequencies of the signal are cut before being output to the speakers. This prevents small speakers from becoming overloaded.
- ➏ **AUTO STANDBY switch:** When the AUTO STANDBY switch is in the ON position, and no input signal is received after 5–10 minutes, the unit turns into the standby mode automatically. (and the power indicator dims*) When an input signal is received, the unit is turned back on automatically. When the AUTO STANDBY switch is in the OFF position, this AUTO STANDBY on/off function doesn't work.

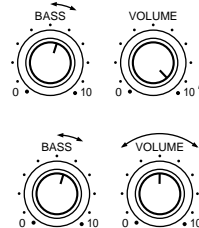
*U.K. and Europe model only.



Note: The unit may turn off automatically when the input signal level is very low. If this does occur, increase the output level from the source device and reduce the YST-MSW8 VOLUME control accordingly.

Volume Adjustment

- If the YST-MSW8 is connected to an output jack for a sub-woofer on a powered main speaker (such as the Yamaha YST-M15, YST-M8, etc.) as shown in System example 1 on page 1, raise the VOLUME control of the YST-MSW8 to the maximum and set the BASS control to the noon or one-o'clock position. Then, use the volume control of the powered main speakers to adjust the overall volume.
- If the powered main speakers are connected to the YST-MSW8's LINE OUT jack as shown in System example 2 on page 1, set the YST-MSW8's BASS control to the noon or one-o'clock position and raise the volume control of the powered main speakers to the maximum. Then, use the YST-MSW8's VOLUME control to adjust the overall volume.



Troubleshooting

If the speakers fail to operate normally, check the following table. It lists common operation errors and simple measures that you can take to correct problems. If a problem cannot be corrected, or the symptom is not listed, disconnect the AC power cord and contact your authorized YAMAHA dealer or service center for help.

FAULT	CAUSE	CURE
No sound comes from the speakers or sub-woofer.	The AC power cord is not properly plugged into the wall outlet. The ⏻ (power) switch is turned OFF. Connections are faulty or incomplete. The volume is set to minimum. The level of the signal being input is too low.	Insert the AC power cord firmly into the wall outlet. Turn ON the ⏻ (power) switch (the indicator lights). Make the connections again, firmly, or use a different cable. Turn the subwoofer VOLUME control to the right to increase the volume. Turn the speaker VOLUME control to the right to increase the volume. Turn up the volume on the connected component.
Noise.	Connections are faulty or incomplete.	Make the connections again, firmly, or use a different cable.
Noise is heard when the power is turned on.	The power cord of this unit connected to another unit's SWITCHED AC OUTLET.	Connect the power cord to an UNSWITCHED AC OUTLET. Make sure to use the ⏻ (power) switch on this unit to turn the power on and off.
Power is not supplied even though the ⏻ (power) switch is ON.	The power plug is not securely connected.	Connect it securely.
No sound.	The volume is set to 0. Speaker cables are not connected securely.	Turn the VOLUME control to right. Connect them securely.
Sound level is too low.	Speaker cables are connected incorrectly. A source sound with few bass frequencies is played. It is influenced by standing waves.	Connect them correctly. Play a source sound with bass frequencies. Turn the VOLUME control to right. Relocate the subwoofer or break up the parallel surface by placing bookshelves etc. along the walls.
The AUTO STANDBY function doesn't work.	The ⏻ (power) switch is turned off. The source input signal is too low.	Turn the ⏻ (power) switch on. Raise the input signal level to appropriate level.
The AUTO STANDBY function activates unintentionally.	The source input signal is too low.	Raise the input signal level to appropriate level.
Power is turned on accidentally when the AUTO STANDBY function is set to ON.	The other equipment's hum interrupts (i.e. computer, digital device).	Relocate the YST-MSW8 or cable wiring. Otherwise, do not use the AUTO STANDBY function.

Specifications

Type Active Servo Technology
Output power 15 W (100 Hz, 4 Ω at
T.H.D.=10%)
Input sensitivity 45 mV (100 Hz, 4 Ω at 15 W)
Input impedance 20 k Ω
Frequency response 40 to 250 Hz (-10 dB)
Speaker unit 12 cm (5") cone, magnetic shield-
ing
Output impedance 600 Ω
Output level 45mV (at 45mV Rated Input)
Power consumption 20 W
Power supply
U.S.A. and Canada models AC 120 V, 60 Hz
Australia model AC 240 V, 50 Hz

U.K. and Europe models AC 230 V, 50 Hz
General model AC 110/120/220/240 V,
50/60 Hz

Dimensions (W \times H \times D)
148 (5-13/16") \times 283 (11-1/8") \times 210 (8-1/4") mm

Weight 4 kg (8 lbs. 13 oz.)

Finish

YST-MSW8 W Computer white
YST-MSW8 B Black

Accessories

3.5 mm stereo mini-plug cable (1.8m) \times 1

* Specifications subject to change without notice.

