



Studio Manager

for DM 2000/***O2R 96***

Installation Guide

Keep This Manual For Future Reference.



Important Information

Exclusion of Certain Liability

Manufacturer, importer, or dealer shall not be liable for any incidental damages including personal injury or any other damages caused by improper use or operation of Studio Manager for DM2000 or Studio Manager for 02R96.

Yamaha makes no representations or warranties with regard to the use of the software and documentation and cannot be held responsible for the results of the use of this manual and the software.

Use of the software and this manual is governed by the Software Licensing Agreement which the purchaser fully agrees to upon breaking the seal of the software packaging. (Carefully read the agreement at the end of this manual before installing the software.)

Trademarks

Adobe, Acrobat, and Reader are registered trademarks of Adobe Systems Incorporated. Apple, AppleTalk, and Macintosh are registered trademarks of Apple Computer, Inc. Microsoft and Windows are registered trademarks of Microsoft Corporation. OMS is a registered trademark of Opcode Systems, Inc. Pentium and Celeron are registered trademarks of Intel Corporation. PowerPC is a registered trademark of International Business Machines Corporation. SmartMedia is a trademark of Toshiba America, Inc. All other trademarks are the property of their respective holders and are hereby acknowledged.

Copyright

No part of the Studio Manager for DM2000 or Studio Manager for 02R96 software or its documentation may be reproduced or distributed in any form or by any means without the prior written authorization of Yamaha Corporation.

© 2002 Yamaha Corporation. All rights reserved.

Yamaha Web Site

Information about Studio Manager for DM2000, Studio Manager for 02R96, related products, and other Yamaha professional audio equipment is available on the Yamaha Professional Audio Web site at:

<<http://www.yamaha.co.jp/product/proaudio/homeenglish/navi/index.htm>>.

Specifications and external appearance subject to change without notice.

Contents

1	Getting Started	1
	Introduction	1
	CD-ROM Contents	1
	Windows System Requirements	2
	Macintosh System Requirements	3
	DM2000/02R96 Hookup	4
	Configuring the DM2000/02R96	4
2	Windows Installation	5
	Acrobat Reader	5
	USB MIDI Driver	5
	Yamaha CBX Driver	11
	Studio Manager for DM2000	11
	Studio Manager for 02R96	11
	Card Filer (DM2000 only)	11
3	Macintosh Installation	12
	Acrobat Reader	12
	OMS (Open Music System)	12
	USB MIDI Driver	13
	Studio Manager for DM2000	13
	Studio Manager for 02R96	14
	Card Filer (DM2000 only)	14
	Setting up OMS	14
4	Troubleshooting	16

1 Getting Started

Introduction

The Yamaha Studio Manager application allows you to control the Yamaha DM2000 Digital Production Console or Yamaha 02R96 Digital Mixing Console from a Windows or Macintosh computer.

This *Installation Guide* explains how to install Studio Manager for DM2000 and Studio Manager for 02R96 and the necessary drivers for Windows and Macintosh computers. For information on how to use Studio Manager, refer to the *Studio Manager for DM2000 Owner's Manual* or *Studio Manager for 02R96 Owner's Manual*, which are included on the CD-ROM in PDF format. For operating information on the DM2000 or 02R96, see the *DM2000 Owner's Manual* or *02R96 Owner's Manual* respectively.

CD-ROM Contents

Windows

Folder	Software	Description
Acroread\English	Acrobat Reader ^{1, 2}	Adobe Acrobat Reader software for viewing the PDF format manuals.
SM_\DM2000	Studio Manager for DM2000 ¹	Yamaha Studio Manager for DM2000
SM_\02R96	Studio Manager for 02R96 ¹	Yamaha Studio Manager for 02R96
Mididrv_	Yamaha CBX Driver	Yamaha serial driver. Necessary if you are connecting to a serial port on your PC.
USBdrv_	Yamaha USB MIDI Driver (Windows 98, Me)	Yamaha USB driver. Necessary if you are connecting to a USB port on your PC.
USBdrv2k_	Yamaha USB MIDI Driver (Windows 2000, XP)	
Card_	Card Filer ¹	Yamaha utility for transferring and managing data stored on the DM2000's SmartMedia card.

1. For details on using this software, refer to the PDF manual after installation.

2. This software is not supported by Yamaha.

Macintosh

Folder	Software	Description
Acroread\English	Acrobat Reader ^{1, 2}	Adobe Acrobat Reader software for viewing the PDF format manuals.
SM_\DM2000	Studio Manager for DM2000 ¹	Yamaha Studio Manager for DM2000
SM_\02R96	Studio Manager for 02R96 ¹	Yamaha Studio Manager for 02R96
OMS_	Open Music System (OMS) 2.3.8 ^{1, 2}	Opcode driver software for use with MIDI applications on Macintosh computers.
	OMS Setup for YAMAHA	OMS studio setup files for use with the DM2000 and 02R96.
USBdrv_	YAMAHA USB MIDI Driver	Yamaha USB driver. Necessary if you are connecting to a USB port on your Macintosh computer.
Card_	Card Filer ¹	Yamaha utility for transferring and managing data stored on the DM2000's SmartMedia card.

1. For details on using this software, refer to the PDF manual after installation.

2. This software is not supported by Yamaha.

Windows System Requirements

The system requirements of your operating system may be different to those listed here.

Studio Manager for DM2000/Studio Manager for 02R96

Computer	A PC with a 433 MHz or faster Intel Pentium or Celeron family processor
OS	Windows 98SE, Me, 2000, XP Home Edition, XP Professional
Memory	128 MB or more
Hard Disk	20 MB or more of free space
Display	1024 x 768 pixels, 256 colors or higher 1280 x 1024, High Color 16-bit recommended (If you use display settings of 1024 x 768, turn on the Task Bar's Auto-hide option.)

Card Filer (DM2000 only)

Computer	A PC with a 100 MHz or faster Intel Pentium or Celeron family processor
OS	Windows 95, 98, 98SE, Me, NT4.0, 2000, XP Home Edition, XP Professional
Memory	8 MB or more
Hard Disk	2 MB or more of free space
Display	800 x 600 pixels, 256 colors or higher

Yamaha USB MIDI Driver

Computer	A PC with a 166 MHz or faster Intel Pentium or Celeron family processor and a USB port
OS	Windows 98, 98SE, Me, 2000, XP Home Edition, XP Professional
Memory	32 MB or more
Hard Disk	2 MB or more of free space

Yamaha CBX Driver

OS	Windows 95, 98, 98SE, Me, NT4.0, 2000, XP Home Edition, XP Professional
-----------	---

System requirements for software not listed here can be found on the CD-ROM.

Macintosh System Requirements

The system requirements of your operating system may be different to those listed here.

Studio Manager for DM2000/Studio Manager for 02R96

Computer	A Macintosh G3/233 MHz or better and a USB port
OS	Mac OS 8.6 to 9.2.2 (Mac OS X not supported)
Memory	50 MB or more of free memory (Virtual memory must be turned off)
Hard Disk	7 MB or more
Display	1024 x 768 pixels, 256 colors or higher 1280 x 1024, 32,000 colors recommended
Other	OMS 2.3.3 or later

Note: If you are using a PowerBook on battery power, open the Energy Save control panel, and in Advanced Settings, Additional Power Savings, turn off Allow processor cycling.

Card Filer (DM2000 only)

Computer	A Macintosh computer with a PowerPC processor or better
OS	Mac OS 7.5 to 9.2.2 (Mac OS X not supported)
Memory	8 MB or more of free memory
Hard Disk	6 MB or more
Display	800 x 600 pixels, 256 colors or higher

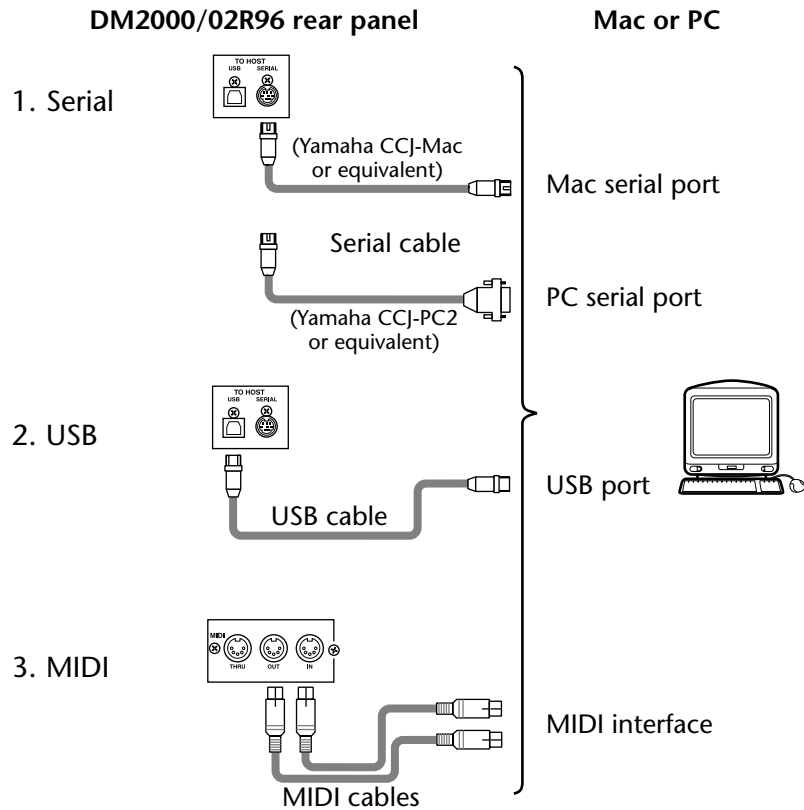
Yamaha USB MIDI Driver

Computer	A Macintosh computer with a PowerPC processor or better and a USB port
OS	Mac OS 8.6 to 9.2.2 (Mac OS X not supported)
Memory	64 MB or more (recommended: 128 MB or more)
Hard Disk	2 MB or more

System requirements for software not listed here can be found on the CD-ROM.

DM2000/02R96 Hookup

The following illustration shows the three hookup methods that can be used to connect the DM2000/02R96 to your computer: serial, USB, or MIDI.



Note: Before you connect to serial or MIDI ports, turn off the DM2000/02R96 and your computer.

Configuring the DM2000/02R96

On the DM2000/02R96, use the DISPLAY ACCESS [SETUP] button to locate the MIDI/TO HOST Setup page. Under “Studio Manager,” select a port and assign an ID to the DM2000/02R96. If you are using a serial connection, set the TO HOST SERIAL options as necessary (i.e., “PC-2” for a Windows PC, or “Mac” for a Macintosh computer). Refer to the *DM2000 Owner’s Manual* or *02R96 Owner’s Manual* for more information.

2 Windows Installation

Acrobat Reader

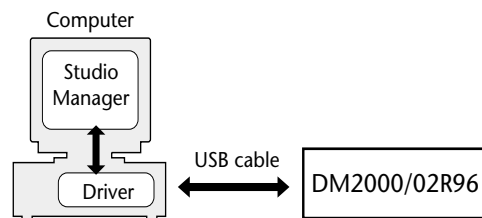
To view the *Studio Manager for DM2000 Owner's Manual* or *Studio Manager for 02R96 Owner's Manual*, you'll need to install the Adobe Acrobat Reader software, which is included on the CD-ROM. If you already have this software installed, skip this section.

- 1 **Start your computer and Windows, and insert the included CD-ROM into your computer's CD-ROM drive.**
- 2 **On the CD-ROM, double-click the "Acroread_" folder.**
This folder contains Acrobat software in several languages.
- 3 **Double-click the folder of the language you want to install.**
- 4 **Double-click "ar500***.exe."** ("***" indicates the selected language.)
- 5 **Follow the on-screen instructions to install the software.**

For instructions on using Acrobat Reader, choose Reader Help from Acrobat Reader's Help menu.

USB MIDI Driver

If you are connecting the DM2000/02R96 to a USB port on your computer, you'll need to install the Yamaha USB driver. If you already have this software installed, skip this section.



The procedure for installing the Yamaha USB driver depends on the version of Windows that you are using.

- Windows 98 & 98SE, see page 6
- Windows Me, see page 8
- Windows 2000, see page 9
- Windows XP, see page 10

Windows 98 & 98SE

- 1 Start your computer and Windows, and insert the included CD-ROM into your computer's CD-ROM drive.
- 2 Turn off the DM2000/02R96 and use a USB cable to connect the USB TO HOST port on the DM2000/02R96 to a USB port on your computer.
- 3 Turn on the DM2000/02R96.

The Add New Hardware Wizard appears. If it doesn't appear, try disconnecting and reconnecting the USB cable. Alternatively, open the Add New Hardware control panel.



- 4 Click Next.

The following window appears.



- 5 Select "Search for the best driver for your device (Recommended)," and then click Next.

The following window appears.



- 6 Select "Specify a location," and specify "D:\USBdrv_" (replacing "D" with the drive letter of your CD-ROM drive), and then click Next.

When the driver is located, "YAMAHA USB MIDI Driver" is displayed, as shown below.



- 7 Click Next.

Note: You may be prompted to insert your Windows CD-ROM. Do not insert it! Click OK, and in the "Copy files from" section of the subsequent dialog box, enter "D:\USBdrv_" (replacing "D" with the drive letter of your CD-ROM drive), and then click OK.

The driver is installed, and the following window appears when the installation is complete.



- 8 Click Finish, and then restart your computer.

Windows Me

- 1 **Start your computer and Windows, and insert the included CD-ROM into your computer's CD-ROM drive.**
- 2 **Turn off the DM2000/02R96 and use a USB cable to connect the USB TO HOST port on the DM2000/02R96 to a USB port on your computer.**
- 3 **Turn on the DM2000/02R96.**

The Add New Hardware Wizard appears. If it doesn't appear, try disconnecting and reconnecting the USB cable. Alternatively, open the Add New Hardware control panel.



- 4 **Select “Automatic search for a better driver (Recommended),” and then click Next.**

Windows Me should be able to locate the driver automatically, in which case you can proceed to Step 5. If the driver cannot be located, select “Specify the location of the driver (Advanced),” click Next, specify your CD-ROM drive (e.g., D:\USBdrv_), and then continue as prompted.

The following window appears when the installation is complete.



- 5 **Click Finish, and then restart your computer.**

Windows 2000

- 1 Start your computer and Windows, log on as the Administrator, and then insert the included CD-ROM into your computer's CD-ROM drive.
- 2 Go to My Computer→Control Panel→System→Hardware→Driver Signing→File Signature Verification, select "Ignore—Install all files, regardless of file signature," and then click OK.
- 3 Turn off the DM2000/02R96 and use a USB cable to connect the USB TO HOST port on the DM2000/02R96 to a USB port on your computer.
- 4 Turn on the DM2000/02R96.
The Found New Hardware Wizard appears.
- 5 Click Next.
- 6 Select "Search for a suitable driver for my device (Recommended)," and then click Next.
- 7 In the subsequent window, select "CD-ROM drives" only, and then click Next.

Note: You may be prompted to insert your Windows CD-ROM. Do not insert it! Click OK, and in the "Copy files from" section of the subsequent dialog box, enter "D:\USBdrv2k_" (replacing "D" with the drive letter of your CD-ROM drive), and then click OK.

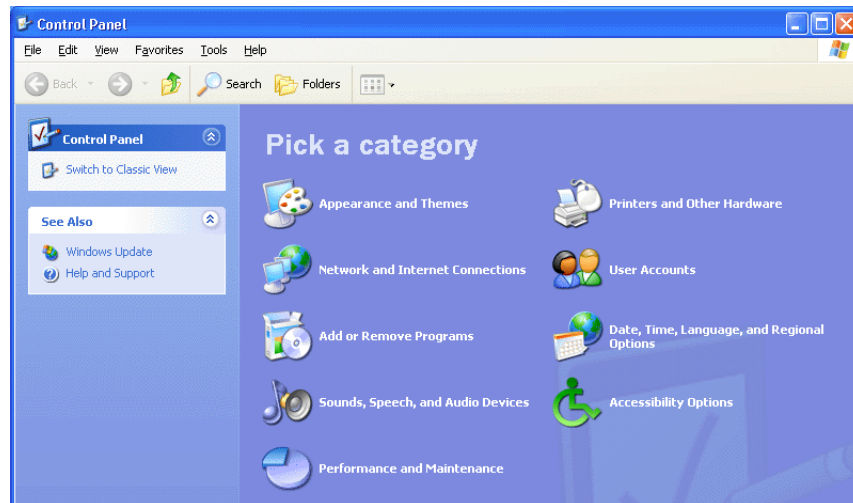
The driver is installed, and the message "Completing the Found New Hardware Wizard" appears.

- 8 Click Finish, and then restart your computer.

Windows XP

- 1 **Start your computer and Windows, and insert the included CD-ROM into your computer's CD-ROM drive.**
- 2 **Click the Start button, and then click Control Panel.**

If the Control Panel window appears as shown below, click “Switch to Classic View” on the left side of the window in order to see all the control panels.



- 3 **Go to System Hardware→Driver signatures→Driver signature options, select “Ignore—Install software without asking for confirmation,” and then click OK.**
- 4 **Click OK to close the System Properties window, and then click the Close button to close the Control Panel window.**
- 5 **Turn off the DM2000/02R96 and use a USB cable to connect the USB TO HOST port on the DM2000/02R96 to a USB port on your computer.**
- 6 **Turn on the DM2000/02R96.**
The Found New Hardware Wizard appears.
- 7 **Select “Install software automatically (recommended) (I),” and then click Next.**
The driver is installed, and the message “Completing the Found New Hardware Wizard” appears.
- 8 **Click Finish, and then restart your computer.**

Yamaha CBX Driver

If you are connecting the DM2000/02R96 to a serial port on your computer, you'll need to install the Yamaha CBX driver. If you already have this software installed, skip this section.

- 1 Double-click the "Mididrv_" folder on the CD-ROM.
- 2 Double-click "Setup.exe."
- 3 Follow the on-screen instructions to install the software.

Studio Manager for DM2000

- 1 Double-click the "SM_" folder on the CD-ROM.
- 2 Double-click the "DM2000" folder.
- 3 Double-click "Setup.exe."
- 4 Follow the on-screen instructions to install the software.

Studio Manager for 02R96

- 1 Double-click the "SM_" folder on the CD-ROM.
- 2 Double-click the "02R96" folder.
- 3 Double-click "Setup.exe."
- 4 Follow the on-screen instructions to install the software.

Card Filer (DM2000 only)

- 1 Double-click the "Card_" folder on the CD-ROM.
- 2 Double-click "Setup.exe."
- 3 Follow the on-screen instructions to install the software.

See the Card Filer Manual PDF, which is installed in the same folder as Card Filer, for information on using Card Filer.

3 Macintosh Installation

Acrobat Reader

To view the *Studio Manager for DM2000 Owner's Manual* or *Studio Manager for 02R96 Owner's Manual*, you'll need to install the Adobe Acrobat Reader software, which is included on the CD-ROM. If you already have this software installed, skip this section.

- 1 Start your Macintosh, and insert the included CD-ROM into your computer's CD-ROM drive.**
- 2 Double-click the "Acroread_" folder on the CD-ROM.**
This folder contains Acrobat software in several languages.
- 3 Double-click the folder of the language you want to install.**
- 4 Double-click "Reader Installer."**
(The name of the installer depends on the language selected.)
- 5 Follow the on-screen instructions to install the software.**
For instructions on using Acrobat Reader, choose Reader Guide from Acrobat Reader's Help menu.

OMS (Open Music System)

Studio Manager requires OMS 2.3.3 or later in order to work on Macintosh computers. OMS 2.3.8 is included on the CD-ROM. If you already have this software installed, skip this section.

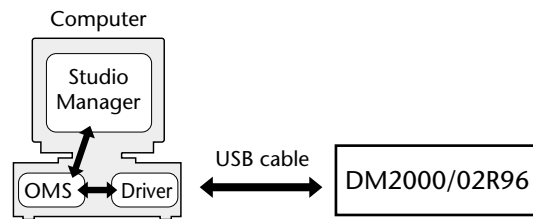
- 1 Start your Macintosh, and insert the included CD-ROM into your computer's CD-ROM drive.**
- 2 Double-click the "OMS_" folder on the CD-ROM.**
- 3 Double-click "Install OMS 2.3.8."**
- 4 Follow the on-screen instructions to install the software.**
- 5 When the installation is complete, click Restart.**

Note: Once the installation is complete, you may receive an error message warning that the installer did not quit. In this case, choose Quit from the File menu to quit the installer, then restart your computer.

- 6 Copy the "OMS_2.3_Mac.pdf" from the "OMS_" folder on the CD-ROM to the "Opcode:OMS Applications" folder on your hard disk.**
This file contains information on using and configuring OMS.

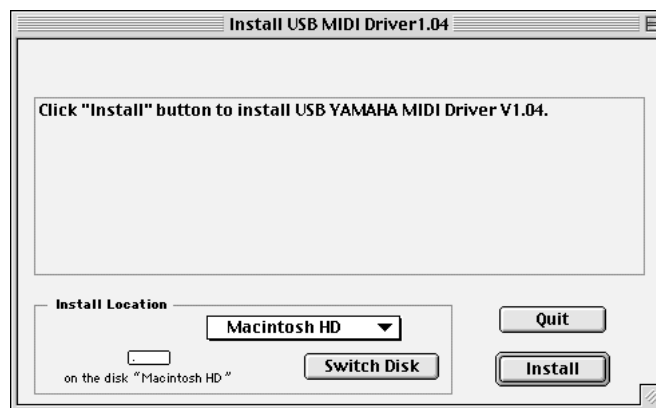
USB MIDI Driver

If you are connecting the DM2000/02R96 to a USB port on your computer, you'll need to install the Yamaha USB driver. If you already have this software installed, skip this section.



- 1 Start your Macintosh, and insert the included CD-ROM into your computer's CD-ROM drive.
- 2 Double-click the "USBdrv_" folder on the CD-ROM.
- 3 Double-click "Install USB MIDI Driver."

The Install USB MIDI Driver window appears, as shown below.



Normally there's no need to set the Install Location, because the startup disk is selected by default. To select another disk, click the Switch Disk button. Although you can choose a folder from the pop-up menu, the files are installed in the specified disk's System Folder regardless, so you can ignore that setting.

- 4 Click Install, and follow the on-screen instructions to install the software.
- 5 When the installation is complete, click Restart.

Studio Manager for DM2000

- 1 Start your Macintosh, and insert the included CD-ROM into your computer's CD-ROM drive.
- 2 Double-click the "SM_" folder on the CD-ROM.
- 3 Double-click the "DM2000" folder.
- 4 Double-click "Install Studio Manager."
- 5 Follow the on-screen instructions to install the software.

Studio Manager for 02R96

- 1 Start your Macintosh, and insert the included CD-ROM into your computer's CD-ROM drive.
- 2 Double-click the "SM_" folder on the CD-ROM.
- 3 Double-click the "02R96" folder.
- 4 Double-click "Install Studio Manager."
- 5 Follow the on-screen instructions to install the software.

Card Filer (DM2000 only)

- 1 Start your Macintosh, and insert the included CD-ROM into your computer's CD-ROM drive.
- 2 Double-click the "Card_" folder on the CD-ROM.
- 3 Double-click "Install Card Filer."
- 4 Follow the on-screen instructions to install the software.

See the "CardFilerManual.pdf," which is installed in the same folder as Card Filer, for information on using Card Filer.

Setting up OMS

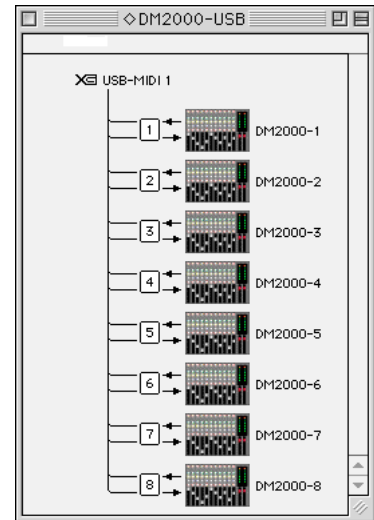
The "OMS Setup for YAMAHA" folder on the included CD-ROM contains OMS studio setup files for use with the DM2000 and 02R96.

- 1 **Turn off the DM2000/02R96 and use a USB cable to connect the USB TO HOST port on the DM2000/02R96 to a USB port on your computer.**
If you are connecting to the SERIAL TO HOST port, use a serial cable to connect the Printer or Modem port on your computer.
- 2 **Turn on the DM2000/02R96.**
- 3 **Start your Macintosh, and insert the included CD-ROM into your computer's CD-ROM drive.**
- 4 **Open the "OMS_" folder on the CD-ROM, and then open the "OMS Setup for YAMAHA" folder.**
This folder contains six OMS studio setup files.
 - DM2000-USB
 - DM2000-Modem
 - DM2000-Printer
 - 02R96-USB
 - 02R96-Modem
 - 02R96-Printer
- 5 **Copy the required file to your computer's hard disk, and then double-click it.**

OMS Setup starts and the Studio Setup file window appears, as shown by this example, which is the DM2000-USB studio setup.

The symbol \diamond next to the setup name in the title bar indicates that this is the current Studio Setup.

- 6 If the \diamond symbol is not displayed, choose Make Current from the File menu, and then save the setup.**



Note: If you are using the Modem or Printer port, go to OMS Setup Preferences and turn off “Use Apple SerialDMA driver when available.”

After completing the above setup, the DM2000 will be the only MIDI device in the current OMS studio setup. In order to use other MIDI devices, or to add an additional DM2000, you must create a new studio setup. See the “OMS_2.3_Mac.pdf” for more information.

4 Troubleshooting

Cannot control the DM2000/02R96 via USB

- Have you installed the Yamaha USB MIDI driver (Windows page 5, Mac page 13)?
- Is the USB cable connected correctly (page 4)?
- Is the DM2000/02R96 configured correctly (page 4)?
- Is Studio Manager set to the correct ID? (see the Studio Manager documentation)
- **Macintosh:** Is OMS configured correctly (page 14)? On some systems, the included OMS studio setup files may not work correctly. In this case, you must create a new studio setup. See the “OMS_2.3_Mac.pdf” for more information.

Cannot install the Yamaha USB MIDI Driver

- Is the USB cable connected correctly (page 4)?
- Try disconnecting the USB cable, and then reconnecting it.
- **Windows:** Is USB enabled? When the DM2000/02R96 is connected to your computer for the first time, if the Add New Hardware Wizard doesn't appear, it may be because your computer's USB controller is disabled. To check this, open the System control panel, click the Device Manager tab, and check for any crosses (x) or exclamation marks (!) next to the “Universal Serial Bus controllers” and “USB Root Hub” items. If these items do have these marks next to them, your USB controller is disabled. For information on enabling your USB controller, refer to your computer's documentation.
- **Windows:** If for some reason installation of the Yamaha USB Driver fails, the DM2000/02R96 may be registered as an unknown device and you may not be able to reinstall the driver until the unknown device is deleted. In this case, open the System control panel, click the Device Manager tab, and select the “View devices by connection” option. If an item called “Other devices” appears in the list, click it. If there's an item called “Unknown device,” select it and then click the Remove button. Disconnect the USB cable, then reconnect it, and now try installing the driver again.

OMS stops working after installing the Yamaha USB MIDI Driver

- **Macintosh:** The Yamaha USB MIDI Driver supports Mac OS 8.6 through 9.2.2. If you install it on a computer that is running an earlier version of the Mac OS, OMS will not work correctly. In this case you should remove the Yamaha USB MIDI Driver as explained below.

How to remove & reinstall the Yamaha USB MIDI Driver

- **Windows 98/Me:** Presuming that the Yamaha USB MIDI Driver was installed successfully, and that the DM2000/02R96 has been recognized correctly, the driver can be removed from your computer as follows. Open the System control panel, click the Device Manager tab, select the “YAMAHA USB MIDI Driver,” and then click the Remove button. After deleting the following files, disconnect the USB cable, reconnect it, and then reinstall the driver again.
Windows\Inf\Other\YAMAHADM2000.INF (or YAMAHA02R96.INF)
Windows\System\Xgusb.drv
Windows\System\Ymidusb.sys
- **Macintosh:** The driver can be removed from your computer by deleting the following files, after which you should restart your computer, reinstall the driver, and then set up OMS.

System Folder:Control Panels:YAMAHA USB MIDI Patch
System Folder:Extensions:USB YAMAHA MIDI Diver
System Folder:OMS Folder:YAMAHA USB MIDI OMS Driver

Improving performance

- If your computer seems unresponsive, make sure it satisfies the system requirements (Windows page 2, Mac page 3).
- Quit any other applications that you are not using.
- **Macintosh:** Try turning off virtual memory and AppleTalk.

Cannot suspend or resume your computer

- **Windows:** Suspend will not work if there are any MIDI applications open.
- **Windows 2000:** Depending on the USB controller, etc., on some systems, suspend and resume may not work properly. If the DM2000/02R96 stops responding, try disconnecting and reconnecting the USB cable.

Software Licensing Agreement

The following is a legal agreement between you, the end user, and Yamaha Corporation (“Yamaha”). The enclosed Yamaha software program is licensed by Yamaha to the original purchaser for use only on the terms set forth herein. Please read this licensing agreement with care. Opening this package indicates that you accept all terms outlined herein. If you do not agree to the terms, return this package unopened to Yamaha for a full refund.

GRANT OF LICENSE AND COPYRIGHT: Yamaha grants you, the original purchaser, the right to use one copy of the enclosed software program and data (“SOFTWARE”) on a single-user computer system. You may not use it on more than one computer or computer terminal. The SOFTWARE is owned by Yamaha and is protected by Japanese copyright laws and all applicable international treaty provisions. You are entitled to claim ownership of the media in which the SOFTWARE is included. Therefore, you must treat the SOFTWARE like any other copyrighted materials.

RESTRICTIONS: The SOFTWARE program is copyrighted. You may not engage in reverse engineering or reproduction of the SOFTWARE by other conceivable methods. You may not reproduce, modify, change, rent, lease, resell, or distribute the SOFTWARE in whole or in part, or create derivative works from the SOFTWARE. You may not transmit or network the SOFTWARE with other computers. You may transfer ownership of the SOFTWARE and the accompanying written materials on a permanent basis provided that you retain no copies and the recipient agrees to the terms of the licensing agreement.

TERMINATION: The licensing condition of the software program becomes effective on the day that you receive the SOFTWARE. If any one of the copyright laws or clauses of the licensing conditions is violated, the licensing agreement shall be terminated automatically without notice from Yamaha. In this case, you must destroy the licensed SOFTWARE and its copies immediately.

PRODUCT WARRANTY: Yamaha warrants to the original purchaser that if the SOFTWARE, when used in normal conditions, will not perform the functions described in the manual provided by Yamaha, the sole remedy will be that Yamaha will replace any media which proves defective in materials or workmanship on an exchange basis without charge. Except as expressly set forth above, the SOFTWARE is provided “as is,” and no other warranties, either expressed or implied, are made with respect to this software, including, without limitation the implied warranties of merchantability and fitness for a particular purpose.

LIMITED LIABILITY: Your sole remedies and Yamaha’s entire liability are as set forth above. In no event will Yamaha be liable to you or any other person for any damages, including without limitation any incidental or consequential damages, expenses, lost profits, lost savings or other damages arising out of the use or inability to use such SOFTWARE even if Yamaha or an authorized dealer has been advised of the possibility of such damages, or for any claim by any other party.

GENERAL: This license agreement shall be interpreted according to and governed by Japanese laws.

